

Smart choice for power

Solarlink GmbH, Drangstedter Str. 37
D 27624 Bad Bederkesa
GERMANY

xantrex

mail: info@solarlink.de

web: www.solarlink.de

Easy Shunt™ Installation Instructions

For Xantrex XC Series
and BC Series Battery
Chargers

975-0191-01-01
Revision C

The Easy Shunt™ (Part #: 808-8020-00) is an option that you can purchase for use with your XC Series or BC Series battery charger. It is installed on Bank 1 and acts as a temperature sensor during normal operation, providing improved battery voltage charge control. It also provides an Amp-Hour usage indicator (a "fuel gauge" for your main battery bank) via your XC Series or BC Series charger when the charger is off.

Precautions When Working With Batteries



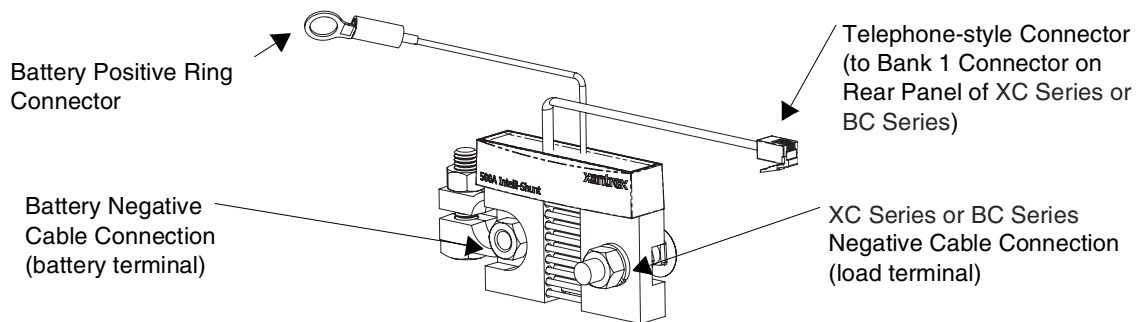
WARNING: Explosion or fire hazard

1. Follow all instructions published by the battery manufacturer and the manufacturer of the equipment in which the battery is installed.
2. Make sure the area around the battery is well ventilated.
3. Never smoke or allow a spark or flame near the engine or batteries.
4. Use caution to reduce the risk of dropping a metal tool on the battery. It could spark or short circuit the battery or other electrical parts and could cause an explosion.
5. Remove all metal items, like rings, bracelets, and watches when working with lead-acid batteries. Lead-acid batteries produce a short circuit current high enough to weld metal, causing a severe skin burn.
6. Have someone within range of your voice or close enough to come to your aid when you work near a lead-acid battery.
7. Have plenty of fresh water and soap nearby in case battery acid contacts skin, clothing, or eyes.
8. Wear complete eye protection and clothing protection. Avoid touching your eyes while working near batteries.
9. If battery acid contacts skin or clothing, wash immediately with soap and water. If acid enters your eye, immediately flood it with running cold water for at least twenty minutes and get medical attention immediately.
10. If you need to remove a battery, always remove the negative (ground) terminal from the battery first. Make sure all accessories are off so you don't cause a spark.

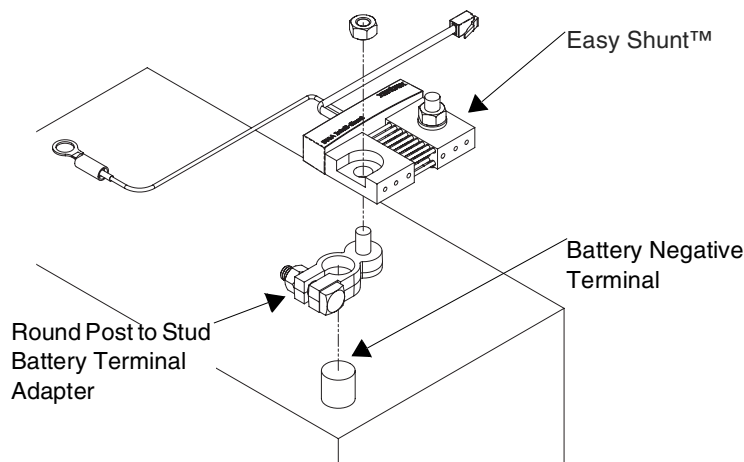
Installing the Easy Shunt™ Sensor

To install the Easy Shunt™:

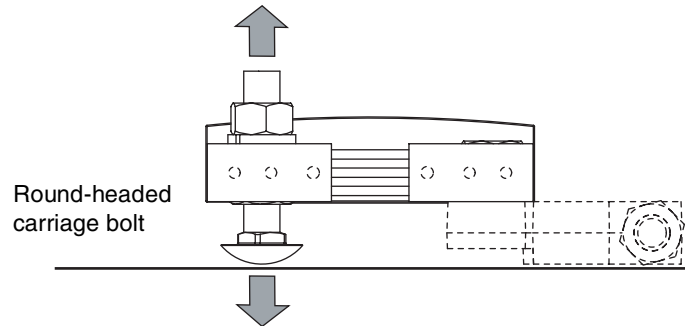
1. Switch off all devices operating from the battery. Disconnect all the wires from the negative terminal of the battery (which is connected to Bank 1 on the XC or BC Series charger).



2. Connect the "battery end" of the shunt which has the "D" shaped cutout to the negative battery stud. If you have a round-post style battery use the round post to stud battery terminal adapter provided. If you have a battery with a threaded stud, remove the post adapter.



3. Loosen the nut from the bolt located in the opposite "load side" shunt terminal. Adjust the round-headed (carriage) bolt until it contacts the top of the battery case to provide support against the weight of the heavy wiring and any vibration that may be transmitted to it.



4. Attach all wires removed in step 1 back onto this new "load" shunt terminal.
5. Tighten the nuts to 8 – 9 Nm (6 – 7 ft-lbs) to secure these electrical connections.
6. Route the sensor cable to the charger and plug it into the Bank 1 connector on the rear panel of the XC Series or BC Series Charger.
7. Connect the battery positive ring connector to the positive terminal of the battery, or to another round post to stud battery terminal adapter if needed.

Using the Easy Shunt™ Sensor

In order to use the Easy Shunt™, AC power must be disconnected from the XC Series or BC Series Charger. In addition, the Amp-Hours will only reset to zero and give an accurate usage gauge if bank 1 has reached float (3 stage charging) or rest (2 stage charging).

To display the Amp-Hours that have been used since Bank 1 was last fully charged:

1. Ensure the charger is off and AC power has been disabled.
2. Press ON/STANDBY.
The remote display will scroll the following information, in order, for bank 1.
 - Highest priority charger fault or warning (if present)
 - Highest priority battery fault or warning (if present)
 - Battery voltage
 - Amp-hours used (the Ah units indicator light on the remote display will illuminate)

3. The remote display will scroll the following information, in order, on Bank 2 and then Bank 3:
 - Highest priority charger fault or warning (if present)
 - Highest priority battery fault or warning (if present)
 - Battery voltageAmp-hours used is not available for Bank 2 or Bank 3.
4. After running through the sequence once, the display will switch itself off. Press the ON/STANDBY switch to show the sequence again at any time until AC is enabled.

Notice of Copyright

Easy Shunt™ Installation Instructions © August 2005 Xantrex International. All rights reserved.

Warranty

This product has a 24 month limited warranty from the date of first sale which covers defects in workmanship and materials. Retain proof of purchase. For full details on this limited warranty visit our website at www.xantrex.com or call 1-800-670-0707.

It is important that you read the limited warranty as it restricts your legal rights. If you are not satisfied with the limited warranty you may return this product to Xantrex with 30 days of the date of purchase for a full refund.

Date and Revision

August 2005 Revision C

Part Number

975-0191-01-01

Contact Information

Phone: 1 800 670 0707 (toll free North America)
+34 93 470 5330 (Europe)
1 360 925 5097 (direct and rest of world)

Fax: 1-800 994 7828 (toll free North America)
+34 93 473 6093 (Europe)
1 360 925 5143 (direct and rest of world)

Email: customerservice@xantrex.com (North America and rest of world)
support.europe@xantrex.com (Europe)

Web: www.xantrex.com