

Smart choice for power

Solarlink GmbH, Drangstedter Str. 37
D 27624 Bad Bederkesa
GERMANY

xantrex

mail: info@solarlink.de

web: www.solarlink.de

Battery Temperature Sensor Installation Instructions

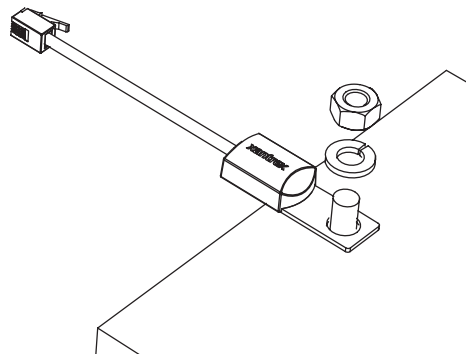
975-0193-01-01
Revision A

Additional Battery Temperature Sensors (Part #: 808-0232-01) can be installed on your XC Series or BC Series battery charger. Xantrex recommends that you install Battery Temperature Sensors on all banks to protect your batteries and to provide optimal charging of each bank. See the label on the outside of the package for other Xantrex products compatible with this battery temperature sensor.

Installing Battery Temperature Sensor

To install a BTS:

1. Switch off all devices operating from the battery.
2. Connect the ring terminal on the sensor directly to the negative battery stud, or use the adhesive backing on the sensor back to attach the sensor to any side of the battery to be monitored.
Xantrex recommends you mount the sensor directly on the battery stud as it will be more reliable against vibration and will provide a good thermal connection to the battery as well.



3. Route the sensor cable to the charger and plug it into the Bank 1 (default if using only one BTS), Bank 2 or Bank 3 connector on the rear panel.
It may be advantageous to temporarily apply a layer of tape around the connector to protect its locking tab from catching on something during pulling and routing.

Notice of Copyright

Battery Temperature Sensor Installation Instructions © January 3rd, 2005 Xantrex International. All rights reserved.

Warranty

This product has a 24 month limited warranty from the date of first sale which covers defects in workmanship and materials. Retain proof of purchase. For full details on this limited warranty visit our website at www.xantrex.com or call 1-800-670-0707. It is important that you read the limited warranty as it restricts your legal rights. If you are not satisfied with the limited warranty you may return this product to Xantrex with 30 days of the date of purchase for a full refund.

Date and Revision

January 3rd, 2005 Revision A

Part Number

975-0193-01-01

Contact Information

Phone: 1 800 670 0707 (toll free North America)
+34 93 470 5330 (Europe)
1 360 925 5097 (direct and rest of world)

Fax: 1-800 994 7828 (toll free North America)
+34 93 473 6093 (Europe)
1 360 925 5143 (direct and rest of world)

Email: customerservice@xantrex.com (North America)
support.europe@xantrex.com (Europe)
customerservice@xantrex.com (rest of world)

Web: www.xantrex.com