

Solarlink GmbH, Drangstedter Str. 37, D 27624 Bad Bederkesa, GERMANY
web: www.solarlink.de mail: info@solarlink.de

SINE WAVE INVERTER SINUS-WECHSELRICHTER ONDULEUR SINUSOÏDAL

AJ SERIES



User's and installer's manual

Betriebs-und Montageanleitung

Manuel d'utilisation et de montage



English description.....	3
Introduction	3
Warning	3
Installation	3
Connection.....	4
Use.....	5
Model with stand-by system.....	6
Safety.....	7
Maintenance.....	8
Warranty limit	8
Limits of manufacturer liability	8
JT8 Remote control for AJ 1000-2400.....	9
Technical data	10
Model with built-in solar charger (option – S).....	11
Deutsche Beschreibung	12
Einführung	12
Vorsicht	12
Installation	12
Anschluss	13
Anwendungen.....	14
Lasterkennungsschaltung „stand-by“	15
Sicherheiten	16
Unterhalt.....	17
Garantieausschluss	17
Haftungsausschluss	17
JT8 Fernsteuerung für AJ 1000-2400.....	18
Technische Daten.....	19
Solarladeregler für fotovoltaische Solarmodule (Option – S)	20
Instructions en français.....	21
Introduction	21
Mise en garde	21
Installation	21
Raccordement	22
Utilisation	23
Modèles avec stand-by	24
Sécurités	25
Maintenance.....	26
Exclusion de la garantie	26
Exclusion de la responsabilité	26
J T8 Commande à distance pour AJ 1000-2400.....	27
Données techniques	28
Modèles avec chargeur solaire (option – S).....	29

English description

Introduction

The sine wave inverters of the AJ series have been designed to meet industrial and domestic needs. They meet the highest requirements of comfort, safety and reliability.

Any device designed for the public electrical network of 230 V 50 Hz can be connected to them (up to the nominal power of the inverter).

The AJ series is the perfect source of voltage in any place where the public network is not available.

This document is an essential part of the inverter and must always be carried with it and be at the disposition of anyone working on the installation.

Should you have any doubt or question, do not hesitate to contact your specialist salesperson who will give you the best advice.

Warning

A deficient assembly could result in damage to the device, cause function failures or potential damage to the users.

The working device generates a high voltage which might be lethal in case of contact. So, any manipulation of the inverter must be carried out with utmost care.

THE OWNER MUST NOT MANIPULATE ANY PIECE INSIDE THE INVERTER.

Opening the inverter or using it incorrectly will result in the immediate loss of the warranty.

No current or tension generating device (public grid, generator,...) may be con-

nected to the outlet of the inverter because this could result in its destruction.

The inverter AJ is to be used only with a lead battery. As for the use of batteries, follow the manufacturer's instructions.

Installation

The AJ sine wave inverter is an electronic device, for which some caution must be taken when installing it: Place where the inverter is to be installed:

Out of reach of unauthorised persons, specially children.

In a dry place (max. 95% humidity), and in any case with no condensation.

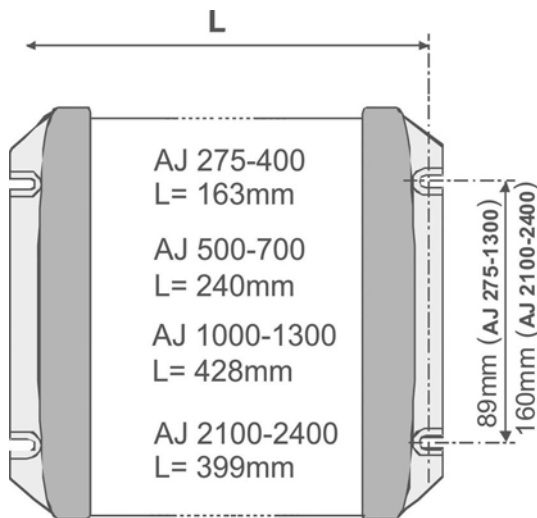
Not directly on top of the batteries.

Ventilation must be free, and a space of 10 cm. on each side is needed for good evacuation of the internal heat.

Fitting the inverter

The inverter is fitted by screws (max. 4mm for AJ 275-AJ 1300 or max. 8mm for AJ 2100 and 2400) using the four holes provided. The fitting screws are not supplied with the inverter. It may be fit into any position.

STUDER INNOTEC



Connection

The connection of the inverter should be done with utmost care. First connect the consumer devices so as to prevent any further contact once the 230 V voltage is present. The technical data and connection's description, is either under one side of the inverter or onto the cable connection side. Installation is to be made only by authorised persons.

Connecting the consumer devices

The AJ inverter is supplied with a 230 V cable for the consumer devices. This connection must be done observing the colours:

Yellow-green: earth

Brown: phase

Blue: neutral

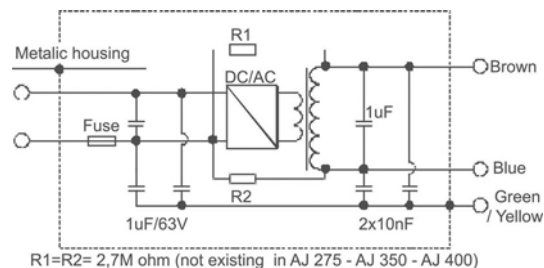
Once the consumer devices are connected, make sure that they are turned off before connecting the battery

AJ

Note

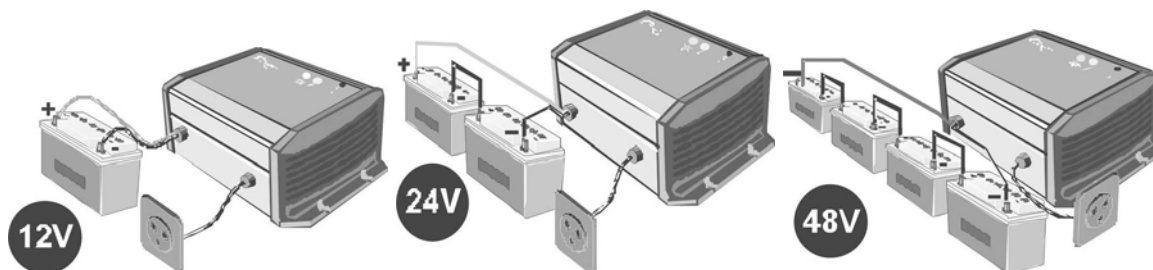
An Inverter constitutes an independent power supply from the grid and could be considered in the same way as a generator set. The phase and the neutral are not differentiated. The voltage in between the phase and the neutral is 230V. An appropriate divisor establishes a 115V voltage in between neutral and earth, and the phase and earth. According to the local prescriptions or particular requirement, (example: use of a ground fault detector) a true neutral may be established by connecting the neutral and the earth wire together. The so connected point, may be connected with an existing earth: earth of building; the chassis of vehicle or the hull of ship.

Equivalent schema



Connecting the battery

Once the consumer devices are connected, make sure that the installations instructions of the 230V has been followed with utmost care **before connecting the battery**.



The cable of the battery is supplied with the inverter and already connected in it.

A fuse must be installed on the battery.

Connect the battery observing carefully the polarity. The AJ inverter, **except AJ 2100-12**, is protected against inversion by a fuse, but if the polarity should be inverted, the inverter must be sent to the manufacturer for control.

Connect the battery using the following colours:

BLACK cable: negative pole (-)

RED cable: positive pole (+)

For AJ 275-400, dominant colour is applicable

When connecting the battery, there's a spark (**Danger of explosion!**), because of the charging of the internal condensator.

Check that the cables are well adjusted and well tightened.

As long as it is possible, do not extend the cables supplied with the batteries. Extending them may increase the losses and cause malfunction of the inverter.

Once the inverter is connected to the batteries, a 230 V voltage is present in the outlet of the inverter.

Use

Control and indicators

Control switch on/off

There is a switch on the inverter to activate or deactivate it. Use this function to save the

energy of the batteries when you are not using the inverter.

Green indicator

A green light on the inverter indicates its function mode:

Illuminated: a 230 V voltage is present in the outlet, the inverter is on.

Blinking:

— — — : No load (stand-by)

— — — : the 230 V voltage has been cut due to an alarm; the inverter will resume function when the failure has disappeared (see the failure table).

Off: the 230 V voltage is NOT present in the outlet, the inverter is off.

Acoustic indicator

The AJ inverter has an acoustic indicator for the following instances:

Intermittent beep: there is a failure in the inverter and the outlet voltage will be interrupted.

Possible failures:

Overheat: the acoustic indicator beeps 3 °C before cutting the tension. If the temperature reaches its normal level, the voltage in the outlet is not interrupted.

Low battery voltage: the indicator beeps for a minute before the interruption. If the voltage of the battery rises, the outlet voltage is not interrupted.

STUDER INNOTEC

Continuous beep for two seconds: you have pressed the ON/OFF switch to restart the inverter. The tension in the outlet will be immediately present after the acoustic signal.

Model with stand-by system

The inverters from the AJ 500-12 are equipped with a stand-by system which is in function when no load is connected. In that situation the inverter is in low power consumption mode.

The output tension is not continuously present and the LED is blinking as long as no load is detected.

The minimal load detected can be adjusted between 1 and 20 W. **In most cases this adjustment is not necessary.** This adjustment is made with a small screw driver in the hole marked stand-by. This adjustment is made with a small screw

AJ

driver in the hole marked stand-by. Adjusting the switching-on level is as follows: Switch off all consuming devices; turn the Turning Knob to the Left (counter-clockwise) until the LED is blinking, switch ON the smallest consuming device (i.e. Mobile phone charger); turn the Turning Knob slowly to the right until LED is lit continuously. Check that the inverter will go back in stand-by mode when you remove the load. If not, this means that the load is too small to be detected.

If the stand-by is not required, turn the Knob fully to the right.

In the full counter clockwise position, the sensibility is minimal (20 W). Do not push on the screw driver.

NOTE: in this mode the output voltage is intermittently present at the output

Safety

The inverter is electronically protected. But protection against polarity inversions of the battery occurs with an internal fuse, **except for AJ 2100-12 inverter, which has no fuse.** The following table will show you the different failures and their consequences.

FAILURE	CONSEQUENCE	SOLUTION
Low battery voltage Voltage < 1.8V/cell	Inverter momentarily stopped, the green indicator blinks.	Automatic restart when the battery voltage rises
Deep discharged battery (voltage <1,5V/cell)	Inverter stopped	Inverter should be manually restarted when the battery as reach 2V/cell
Overheating	Inverter momentarily stopped, the green indicator blinks.	Automatic restart when the temperature reaches the normal range.
Battery over voltage	Inverter stopped.	Wait until the battery voltage reaches the correct level. Push the ON/OFF switch to reactivate the inverter
Short circuit in the outlet	Inverter stopped.	Eliminate the short circuit. Push the ON/OFF switch to reactivate the inverter.
Overload	Inverter stopped.	Use the inverter only in the range of its nominal power. Regular use in overload power diminished the lifetime of the inverter. Push the ON/OFF switch to reactivate the inverter.
Inversion of the battery polarity	Internal fuse broken down	Back to manufacturer for testing

Maintenance

The inverters of the AJ series do not need any special maintenance. The casing may be cleaned with a damp cloth (not wet).

In the case of malfunction, the inverter should be sent back to the manufacturer for control in its original packing.

Before sending the inverter, check the table above.

The battery is loaded and is in accordance to the inlet nominal tension of the device.

The consumer devices do not have any defects or overload for the inverter.

Should you contact your salesperson, note the following points before calling:

(you will find this information on the label underneath the inverter)

- Series number
- Power of the inverter
- Inlet nominal voltage of the inverter

Before sending back the inverter, do take care that it is well packed. The inverter must be in a stiff carton box and be well protected on all sides by mean of an anti-shock and isolating layer of min. 5cm thickness.

The damages occurring during the transport are not covered by the warranty.

Warranty limit

The warranty period is 2 years.

It will be considered void if the unit has suffered any physical damage or alteration, either internally or externally, and does not cover damage arising from improper use like:

- Reverse of battery polarity
- Inadequate input voltage (over voltage)
- Back-feed of the inverter output by public network, generator or any other source.

- Mechanical shock or deformation specially by transport due to an inadequate package.
- Contact with liquid or oxidation by condensation
- Use in inappropriate environment (dust, corrosive vapour, humidity, high temperature,...)

This warranty will not apply where the product has been misused, neglected, improperly installed, or repaired by anyone other than STUDER INNOTEK or a company authorised by STUDER INNOTEK. In order to qualify for the warranty, the product must not be disassembled or modified.

Limits of manufacturer liability

STUDER INNOTEK cannot control the installation, use and maintenance of the inverter. Thus, we are not responsible for damages, costs or losses resulting from an installation which is not in accordance with the regulations or inappropriate use or maintenance.

The customer is always responsible for the use of the inverters STUDER INNOTEK.

This device has not been designed and is not warranted for use in life support apparatus or any other critical device with potential risks of important harm to people or to the environment. We do not accept any responsibility for any violation of patent rights or other third person rights resulting from the use of the inverter.

STUDER INNOTEK keeps the right to modify their products without previous notice.

STUDER INNOTEC

AJ

JT8 Remote control for AJ 1000-2400

Functions on remote control are the same as control and indicator on the inverter (see chapter Use)

Remote control should be connected with the inverter with the original 10m. STUDER cable or any RJ11/6p 1:1 cable up to max 50m.



Technical data

MODEL	AJ 275	AJ 350	AJ 400	AJ 500	AJ 600	AJ 700
Battery voltage (V)	12	24	48	12	24	48
Input voltage (V)	10.5 - 16	21 - 32	42 - 64	10.5 - 16	21 - 32	42 - 64
Continuous / 30' power (VA)	200/275	300/350	300/400	400/500	500/600	500/700
Stand-by / ON @ no load (W)	0.3*/1.9	0.3*/3.3	0.4*/5	0.3/3.8	0.4/8.5	1/10
Maximum efficiency (%)	93	94	94	93	94	94
Dim. 142 x 84 x L (mm) L=	163			240		
Weight (kg)	2.4	2.6	2.6	4.5		
Remote control plug (RCM-01)	Option			Option		
Load detect. (Stand-by) 1-20 W	with option S			V		
Solar charge controller (-S)	10A			15A		

MODEL	AJ 1000	AJ 1300	AJ 2100	AJ 2400
Battery voltage (V)	12	24	12	24
Input voltage (V)	10.5 - 16	21 - 32	10.5 - 16	21 - 32
Continuous / 30' power (VA)	800/1000	1000/1300	2000/2100	2000/2400
Stand-by / ON @ no load (W)	0.3 / 9	0.4 / 10	0.5 / 13	0.4 / 18
Maximum efficiency (%)	93	94	92	94
Dim. 142 x 84 x L (mm) L=	428		273 x 399 x 117	
Weight in kg. (approx.)	8.5		19	18
Remote control (JT8)	Option		Option	
Load detect. (Stand-by) 1-20 W	v		V	
Solar charge controller (-S)	25A		30A	

Output voltage	Sine wave 230V +/-5% (115V +/-5%)
Frequency	50 Hz +/- 0.05 % (60 Hz +/-0.05%)
Ventilation	From 45° C
Overheating protection	v
Overload protection	v
Short circuit protection	v
IP protection index	IP 30 (AJ 2100-2400 = IP 20)
Cos φ	0.1-1
E norm (ECE-R 10)	All models in 12 and 24V are certified

* Stand-by supplied along with the option –S (solar charge controller)

Model with built-in solar charger (option – S)

The AJ inverters of the AJXXXX-S series have a built-in solar charger. The built-in solar charge controller is of the shunt and floating type. It may **only be used by solar generators**. The maximal voltage of the solar modules is 23 V for 12 V applications, 46 V for 24 V applications and 90V for 48V applications. To fix it, first install the cables of the inverter observing the following instructions BEFORE connecting the solar cells.

Then install the cables of the solar generator observing the polarities (red for the + and black for the -).

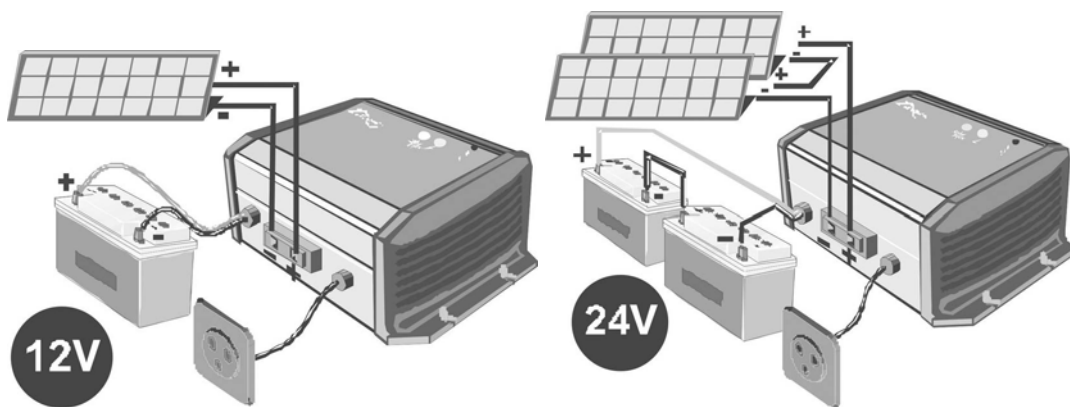
Function

The orange indicator on the inverter shows the mode of function:

Illuminated: the solar charge is to its maximum.

Not illuminated: the solar generator is not connected or the battery is completely loaded.

Blinking: The battery is more than 95% loaded and the charger is in the floating mode to complete the load (the blinking frequency varies depending on the capacity of the battery and the power of the solar generator).



Wiring for AJ 2100/2400-S inverter

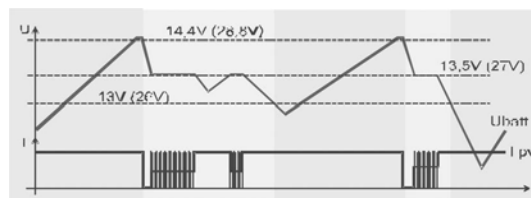
On AJ 2100/2400-S inverter, a preinstalled cable (2 x 6mm²) replaces the terminals.

Wiring should be done through a connecting box.

Connection :

Positive (+) pole to the brown or red cable.

Negative (-) pole to the blue or black cable.



Deutsche Beschreibung

Einführung

Die Wechselrichter der Serie AJ sind für den Betrieb von allen handelsüblichen 230V Geräten konzipiert worden. Die AJ genügen den höchsten Anforderungen an Zuverlässigkeit, Sicherheit und Komfort.

Jedes für das 230V-Wechselstromnetz geeignete Gerät kann auch mit einem AJ betrieben werden.

Ein AJ ist die ideale Spannungsquelle überall da wo das öffentliche Netz nicht hinführt.

Diese Beschreibung ist in jedem Fall Teil der Lieferung eines AJ. Sie muss allen Personen welche mit einem AJ arbeiten zur Verfügung stehen !

Bei eventuellen Fragen oder Unklarheiten kann Ihnen der Händler Auskunft geben

Vorsicht

Eine falsche Behandlung oder Montage des Wechselrichters kann schwerwiegende Folgen haben !

Der AJ erzeugt eine 230V-Sinusspannung wie im öffentlichen Stromnetz. Jegliche Berührung kann fatale Folgen haben ! Die Installationsarbeiten mit dem Wechselrichter AJ verlangen besondere Aufmerksamkeit und dürfen nur von geschultem Personal ausgeführt werden und müssen in jedem Fall den jeweils gültigen Installationsvorschriften entsprechen.

Der AJ darf in keinem Fall geöffnet werden.

Das Öffnen oder die nicht konforme Anwendung des AJ bedeuten den Verlust jeglicher Garantieansprüche.

Der AJ darf mit keiner anderen Spannungs- oder Stromquelle als mit Bleibatterien betrieben werden.

Am Ausgang des AJ dürfen keine Spannungs- oder Stromquellen wie Notstromgeneratoren, das öffentliche Netz usw. angeschlossen werden, da der Wechselrichter zerstört werden könnte.

Der Einsatz von Batterien verlangt besondere Vorsicht. Befolgen Sie darum unbedingt die Richtlinien des Batterieherstellers.

Installation

Der Sinuswechselrichter AJ ist ein elektronisches Gerät. Für dessen Installation sind darum einige Vorsichtsmassnahmen zu beachten.

Der Montageort sollte gegen unbefugten Zugriff gesichert sein (vor allem auch vor Zugriff von kleinen Kindern).

In einem trockenen Raum mit einer Luftfeuchtigkeit von max. 95% ohne Kondensation.

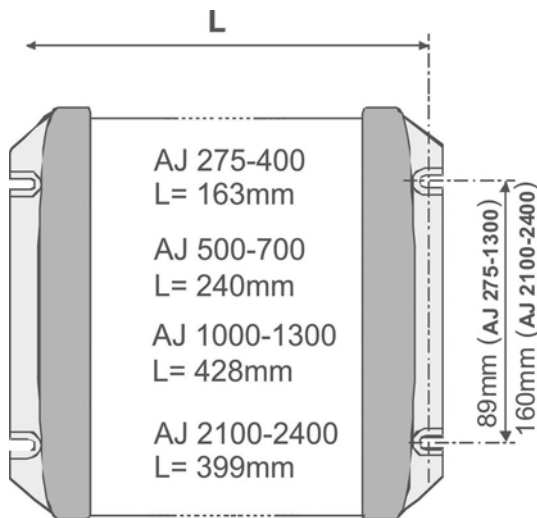
Nicht direkt über der Batterie.

Bei den Lüftungsein- bzw. Auslässen muss für eine unbehinderte Lüftung 10cm Freiraum belassen werden.

Befestigung des AJ

Der Wechselrichter kann mit Hilfe von 4 Schrauben (Durchm. max. 4mm für AJ 275-AJ 1300 oder Durchm. max. 8mm für AJ 2100 und 2400) in jeder beliebigen Lage montiert werden. Für die Befestigung dürfen nur die 4 von aussen zugänglichen Löcher verwendet werden. Die Befestigungs-Schrauben sind nicht beigelegt.

STUDER INNOTEC



Anschluss

Der Anschluss des AJ muss mit besonderer Vorsicht ausgeführt werden. Eine sichere und einwandfreie Funktion der Anlage wird dadurch gewährleistet. Die Gerätedaten und die Anschlussbezeichnung befinden sich auf der Gehäuseunterseite oder auf der Kabelanschlussseite. Vor dem Anschluss des AJ an die Batterie muss das Kabel OUT 230V mit einer Steckerkupplung (weiblich) versehen werden oder bei einer festen Installation muss der Anschluss entsprechend den Installationsvorschriften von geschultem Personal ausgeführt werden.

Anschluss der Verbraucher

Der Wechselrichter AJ wird mit bereits angeschlossenen Kabeln geliefert. Das schwarze 3-adrige Kabel für den 230V-Ausgang muss entsprechend den folgenden Farben angeschlossen werden.

AJ

Gelb-/Grün : Erdleiter

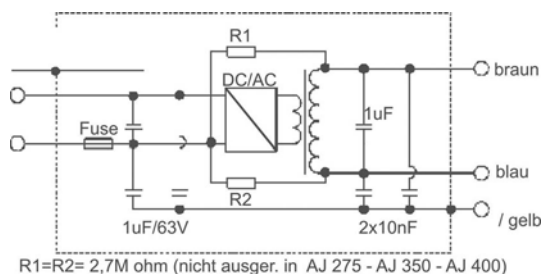
Braun : Phase

Blau : Neutral

Vor dem Anschluss der Batterie muss darauf geachtet werden, dass die angeschlossenen Verbraucher ausgeschaltet sind.

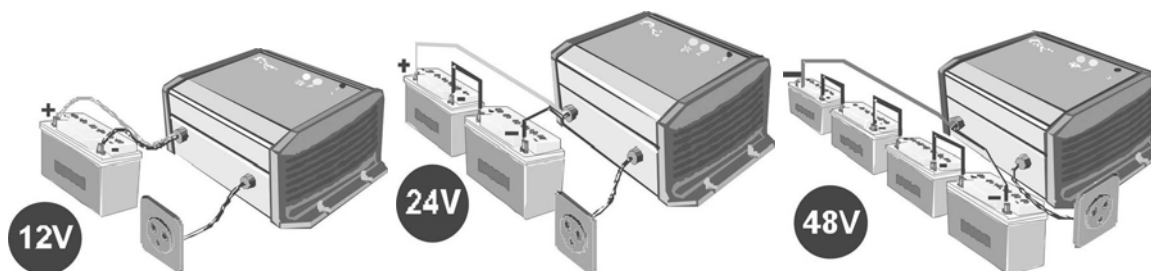
Bemerkung: Ein Wechselrichter ist eine vom Netz unabhängige Spannungsquelle vergleichbar mit einem Notstromgenerator. Phase und Neutralleiter können darum vertauscht werden. Zwischen Phase und Neutralleiter liegt die Spannung von 230V. Zwischen Phase und Erde sowie zwischen Neutral und Erde liegen jeweils 115V an. Je nach Installationsvorschriften können Neutral-Leiter und Erde verbunden werden.

Prinzipschema



Anschluss der Batterie

Vor dem Anschluss der Batterie muss sichergestellt sein, dass die 230V Installation vorschriftsgemäss ausgeführt wurde.



Der AJ wird mit angeschlossenen Batteriekabeln geliefert. **Beim Anschliessen der Batterie muss unbedingt auf die richtige Polarität geachtet werden. Die AJ, mit Ausnahme des AJ 2100-12**, sind wohl durch eine Sicherung gegen Verpolung geschützt. Für einen eventuellen Sicherungswechsel muss der AJ zur Kontrolle an den zuständigen Händler gebracht werden.

Draht Schwarz: -Minus-Pol

Draht Rot : + Plus-Pol

Für die Kabel den AJ 275-350-400 gelten die jeweils dominierenden Farben!

Den AJ an die Batterie anschliessen. Beim Anschliessen der Batterie entsteht ein Funken (**EXPLOSIONSGEFAHR!**) wegen der Ladung der internen Kondensatoren. Die Batterie muss mit einer Sicherung auf der Batterieklemme versehen sein !

Kontrollieren Sie, dass die Anschlüsse gut festgeschraubt sind.

Die Batteriekabel sollten nicht verlängert werden. Eine Verlängerung der Batteriekabel bedeutet grössere Verluste und oder Funktionsstörungen des AJ und somit auch der angeschlossenen Geräte.

Sobald der AJ an der Batterie angeschlossen wird, ist er eingeschaltet und es liegen 230V am Ausgang.

Anwendungen

Bedienung und Anzeigen Steuertaste on/off

Mit der Drucktaste kann der AJ ein- und ausgeschaltet werden. Schalten Sie den Wechselrichter mit dieser Taste aus, wenn Sie keine Energie brauchen.

Grüne Leuchte

Eine grüne Leuchtdiode (LED) zeigt den Funktionszustand des Wechselrichters an.

LED leuchtet : Der Wechselrichter ist in Funktion - am Ausgang liegen 230V.

LED blinkt :

— — — : Der Wechselrichter ist im Stand-by-Betrieb.

— — — : Der Wechselrichter ist wegen eines Alarms vorübergehend ausgeschaltet. Nach verschwinden des Alarms schaltet sich der Wechselrichter automatisch wieder ein. (Die möglichen Alarmgründe sind auf der folgenden Tabelle aufgeführt.)

LED gelöscht : Der Wechselrichter ist ausgeschaltet, am Ausgang liegt keine 230V-Spannung.

Akustischer Signalgeber

Der Wechselrichter AJ ist mit einem akustischen Signalgeber ausgerüstet welcher in folgenden Fällen piept :

Intermittierender Ton : Signal, dass der Wechselrichter sich im Alarmzustand

STUDER INNOTEC

befindet und demnächst die Ausgangsspannung abschalten wird.

Mögliche Fehler :

Überhitzung : Alarm 3°C bevor der Wechselrichter abschaltet. Einen Teil der Last abschalten, damit der Wechselrichter nicht mehr überlastet ist und sich abkühlen kann.

Unterspannung der Batterie : Wenn die Batteriespannung zu tief fällt, pfeift der Signalgeber eine Minute lang bevor der Wechselrichter abschaltet.

Dauerton während 2 Sek. : Warnsignal, dass 2 Sekunden nach dem Einschalten mit der Taste ON/OFF der Wechselrichter einschaltet, und dass an dessen Ausgang 230V anliegen !

Lasterkennungsschaltung „stand-by“

Alle Wechselrichter ab AJ 500-12 sind mit einem Stand-by-System ausgerüstet. Um die Batterie nicht unnötig zu entladen, schaltet sich der Wechselrichter automatisch aus, wenn kein Verbraucher angeschlossen ist, und automatisch wieder

AJ

ein, wenn ein Verbraucher eingeschaltet wird. Die LED blinkt, wenn der Wechselrichter im Stand-by- Modus ist. Der Einschaltpegel kann mit dem Drehknopf „STAND-BY“ mit einem kleinen Schraubenzieher eingestellt werden. Das Einstellen des Einschaltpegels geschieht folgendermaßen: Sämtliche Verbraucher ausschalten; Den Drehknopf nach links (Gegenuhrzeiger) drehen bis die LED blinkt; den kleinsten Verbraucher einschalten (z.B. Ladegerät für das Mobiltelefon); Drehknopf langsam nach rechts drehen bis die LED leuchtet. Danach zur Kontrolle diesen kleinen Verbraucher ausschalten,-der Wechselrichter muss nach einigen Sekunden wieder im Stand-by-Modus arbeiten. Geschieht dies nicht, ist die Last des Verbrauchers zu klein um erkannt zu werden.

Ist der Stand-by- Modus nicht erwünscht, muss der Drehknopf ganz nach rechts gedreht werden.

VORSICHT: Auch im Standy-Modus liegen am Ausgang zeitweise 230V an!

Sicherheiten

Die Wechselrichter AJ sind mit diversen elektronischen Systemen geschützt. Als Schutz gegen Verpolung dient eine Schmelzsicherung. **Der AJ 2100-12 enthält keine Schmelzsicherung und ist somit nicht gegen Verpolung geschützt!**

FEHLER	WIRKUNG	LÖSUNG
Batteriespannung zu tief	Wechselrichter ist vorübergehend gestoppt. Die grüne LED blinkt	Nach Wiederanstieg der Batteriespannung schaltet sich der Wechselrichter automatisch wieder ein
Batteriespannung war tiefer als 1,5V /Element	Wechselrichter gestoppt. Die grüne Leuchte ist aus	Das Wiedereinschalten ist erst wieder möglich, wenn die Batterie 2V/Zelle erreicht hat. Kein automatischer Start.
Überhitzung	Der Wechselrichter wurde überlastet die grüne LED blinkt	Automatischer Start des Wechselrichters nachdem dessen Temperatur gesunken ist
Überspannung der Batterie	Wechselrichter gestoppt.	Batteriespannung kontrollieren und richtige Spannung anlegen. Wechselrichter mit der Taste ON/OFF einschalten
Kurzschluss am Ausgang des Wechselrichters	Wechselrichter gestoppt	Kurzschluss entfernen(Installation kontrollieren). Wechselrichter mit der Taste ON/OFF einschalten
Überlastung des Wechselrichters	Wechselrichter gestoppt	Den Wechselrichter in den Grenzen seiner Nominalleistung verwenden. Regelmässiger Betrieb mit Überlast verkürzt die Lebensdauer ! Wechselrichter mit der Taste ON/OFF einschalten
Anschluss der Batterie mit falscher Polarität	Wechselrichter gestoppt, interne Sicherung zerstört	Wechselrichter zurück zum Händler zur Kontrolle !

Unterhalt

Die Wechselrichter AJ benötigen keinen Unterhalt. Bei Bedarf kann das Gehäuse mit einem feuchten, nicht nassen Lappen gereinigt werden.

Bei Funktionsstörungen des Wechselrichters muss dieser **sehr gut verpackt** zur Kontrolle an den Händler zurückgesandt werden. Dasselbe gilt auch bei jeglicher äusseren Verformung des Gehäuses oder Verletzung der Anschlusskabel.

Bei Fehlfunktionen sollten folgende Punkte abgeklärt werden bevor der AJ zum Händler zurückgesandt wird :

Ist die Batterie geladen und entspricht die Batteriespannung der Eingangsspannung des AJ ?

Sind die angeschlossenen Verbraucher im Leistungsbereich des Wechselrichters ?

Ist der Verbraucher defekt oder ist dessen Anlaufstrom zu hoch ? (z.B. Kompressorkühlschränke können mit einem AJ 275-12 nicht betrieben werden)

Wenn trotzdem der Händler kontaktiert werden muss, notieren Sie bitte die folgenden Punkte : (Die Angaben finden Sie auf der Unterseite oder der Kabelanschlusseite des AJ)

- Seriennummer des Wechselrichters
- Leistung des Wechselrichters
- Die Nominalspannung des Wechselrichters

Für das Versenden des AJ muss unbedingt auf eine gute Verpackung geachtet werden. Die Verpackung muss so ausgeführt sein, dass der AJ in einen festen Karton gelegt wird und von allen Seiten, auch unten von einem Stossdämpfenden Material mit mindestens 5cm Dicke umgeben ist.

Durch mangelhafte Verpackung verursachte Transportschäden werden auf

keinen Fall durch die Garantie abgedeckt.

Garantieausschluss

Die Garantiedauer beträgt 2 Jahre.

Für Schäden, welche durch Anwendungen, Manipulationen, Betriebsfälle und Behandlungen entstehen, welche nicht ausdrücklich in dieser Betriebsanleitung aufgeführt sind, können keine Garantieleistungen gewährt werden.

Nachfolgend eine Liste von Fällen für welche explizit keine Garantie gewährt wird.

- Überspannungen an den Eingängen (z.B. 48V am Batterieeingang eines AJ 275-12)
- Verpolung bei Batterieanschluss (+/- vertauscht)
- In das Gerät eingelaufene Flüssigkeiten oder Oxydation durch Kondensation
- Defekte durch mechanische Einflüsse
- Nicht ausdrücklich von STUDER INNOTEC autorisierte Änderungen
- Nicht oder nur teilweise festgezogene Schrauben und Muttern nach Wechseln von Sicherungen oder Anschlusskabeln.
- Anschluss von anderen Energiequellen als PV-Modulen auf dem Eingang „SOLAR+/-“
- Transportschäden, z.B. durch unsachgemässe Behandlung oder Verpackung.

Haftungsausschluss

Die Einhaltung der Betriebsanleitung und der Bedingungen und Methoden der Installation, dem Betrieb, der Verwendung und der Wartung dieser Geräte können von der Firma STUDER INNOTEC nicht überwacht werden. Daher

STUDER INNOTEC

übernehmen wir keinerlei Haftung und Verantwortung für Schäden, Verluste und Kosten, die aus fehlerhafter Installation, unsachgemäßem Betrieb oder falscher Verwendung und Wartung entstehen oder in irgendeiner Art und Weise damit zusammenhängen. Ebenso übernehmen wir keine Verantwortung für patent-

JT8 Fernsteuerung für AJ 1000-2400

Die Funktionen und Anzeigen der Fernsteuerung sind dieselben wie die im Wechselrichter (siehe Kapitel Anwendungen).

Die Fernsteuerung wird mittels des 10m langen mit der Fernsteuerung gelieferten Kabels angeschlossen. Die Verbindung ist auch mit handelsüblichen Steckern RJ11/6p 1:1 und einer maximalen Kabellänge von 50m möglich.

AJ

rechtliche Verletzungen oder Verletzungen anderer Rechte Dritter, die aus der Verwendung dieses Gerätes entstehen.

Die Firma STUDER INNOTEC behält sich das Recht vor, Änderungen der technischen Daten, des Produkts oder der Betriebsanweisung vorzunehmen.



Technische Daten

MODELL	AJ 275	AJ 350	AJ 400	AJ 500	AJ 600	AJ 700
Batteriespannung (V)	12	24	48	12	24	48
Eingangsspannungsbereich (V)	10.5-16	21-32	42-64	10.5-16	21-32	42-64
Dauer-/30' -Leistung/ (VA)	200/275	300/350	300/400	400/500	500/600	500/700
Stand-by/EIN bei Leerlauf (W)	0.3*/1.9	0.3*/3.3	0.4*/5	0.3/3.8	0.4/8.5	1/10
Max. Wirkungsgrad (%)	93	94	94	93	94	94
Abmessungen 142x84xL (mm)	163			240		
Gewicht (kg)	2.4	2.6	2.6	4.5		
Fernsteuermöglichkeit (RCM-01)	Option			Option		
Lasterkennung (Stand-by)	mit Option S			v		
Solarladeregler (Option S)	10A			15A		

MODELL	AJ 1000	AJ 1300	AJ 2100	AJ 2400
Batteriespannung (V)	12	24	12	24
Eingangsspannungsbereich (V)	10.5 - 16	21 - 32	10.5 - 16	21 - 32
Dauer-/30' -Leistung (VA)	800/1000	1000/1300	2000/2100	2000/2400
Stand-by/EIN bei Leerlauf (W)	0.3 / 9	0.4 / 10	0.5 / 13	0.4 / 18
Max. Wirkungsgrad (%)	93	94	92	94
Abmessungen 142x84xL (mm)	428		273 x 399 x 117	
Gewicht (kg)	8.5		19	18
Fernsteuerung (JT8)	Option		Option	
Lasterkennung (Stand-by)	v		v	
Solarladeregler (Option S) *	25A		30A	

Ausgangsspannung	Sinus 230V +/-5% (115V +/-5%)
Frequenz	50 Hz +/- 0.05 % (60 Hz +/-0.05%)
Ventilator	Ab 45° C
Übertemperaturschutz	V
Überlastschutz	V
Kurzschlusschutz	V
Schutzart	IP 30 (AJ 2100-2400 = IP 20)
Cos φ	0.1-1
E Norme (ECE-R 10)	Alle Modelle in 12 und 24V sind zertifiziert

* Stand-by mit Option –S (Solarladeregler)

STUDER INNOTEC

AJ

Solarladeregler für fotovoltaische Solarmodule (Option – S)

Der in den Wechselrichtern AJ mit der Option „S“ eingebaute Solarladeregler ist ausschliesslich nur für den Anschluss von fotovoltaischen Solarmodulen geeignet um damit die Batterien zu laden ! Sämtliche anderen Strom- oder Spannungsquellen zum Laden der Batterien benötigen eine separate Ledeeinrichtung und dürfen auf keinen Fall an den AJ angeschlossen werden. Die Leerlauf-Spannung der Solarmodule darf im Maximum 23V für die 12V-Modelle, max. 46V für die 24V-Modelle und max. 90V für die 48V-Modelle des AJ betragen. Der Shunt-Laderegler arbeitet nach dem Prinzip I/U/U₀ mit Schwebeladeeinrichtung und garantiert

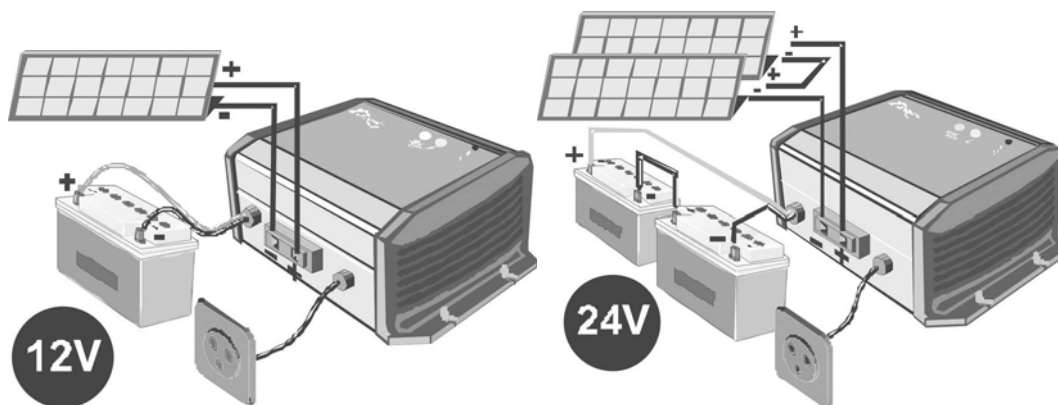
somit immer die beste Ladung und Lebensdauer der Batterie.

Die Funktion des Ladereglers wird mittels der orangefarbenen Leuchtdiode angezeigt.

LED leuchtet : Ladung mit maximalem Strom

LED gelöscht : Das Solarmodul ist nicht oder falsch angeschlossen ; es ist Nacht oder die Batterie ist voll geladen.

LED blinkt : Die Batterie ist geladen und der Laderegler arbeitet im Schwebelademodus.(Die Blinkfrequenz der LED variiert entsprechend der Ladeleistung, dem Verbrauch und dem Zustand der Batterie)

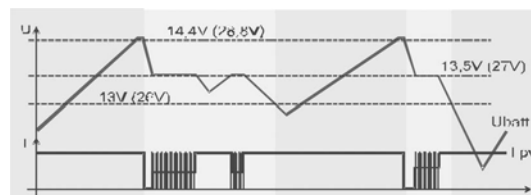


Anschluss des Solarmodule an AJ 2100/2400-S :

An den Wechselrichtern AJ 2100/2400-S werden die Solarmodule über eine Abzweigdose an das bereits im Gerät verdrahtete Kabel (2 x 6mm²) angeschlossen. Das Kabel am Eingang „SOLAR“ muss entsprechend folgenden Farben angeschlossen werden :

Braun oder rot = Pluspol (+)

Blau oder Schwarz = Minuspol (-)



Instructions en français

Introduction

Les onduleurs de la série AJ ont été conçus de manière à répondre aux besoins tant industriels que domestiques. Ils satisfont aux plus hautes exigences de confort, de sécurité et de fiabilité.

Chaque appareil conçu pour le réseau électrique 230 V 50 Hz peut s'y brancher sans aucun problème jusqu'à la puissance nominale de l'onduleur AJ.

La série AJ est la solution idéale comme source de tension partout où le réseau public n'est pas présent.

Ce document fait partie intégrante de l'onduleur, il doit être transmis à chaque livraison et tenu à disposition de toute personne travaillant sur l'installation.

En cas de doute ou de question, n'hésitez pas à contacter votre vendeur spécialisé qui saura vous renseigner.

Mise en garde

Un montage incorrect peut endommager l'appareil, entraîner un mauvais fonctionnement ou mettre en danger les utilisateurs.

L'appareil en fonction génère de hautes tensions pouvant être fatales en cas de contact. Le travail sur l'onduleur doit faire l'objet d'une attention toute particulière. Les installations doivent être exécutées par du personnel compétent et répondre aux normes en vigueur.

AUCUNE PIÈCE À L'INTÉRIEUR DE L'ONDULEUR NE DOIT ÊTRE MANIPULÉE PAR L'UTILISATEUR.

L'ouverture de l'onduleur ou l'utilisation non conforme de l'onduleur entraîne **la perte immédiate de la garantie.**

Le AJ est prévu pour une alimentation avec des batteries à plomb uniquement. Aucun appareil générateur de courant ou de tension ne doit être connecté à la sortie de l'onduleur car il peut entraîner la destruction de celui-ci (réseau public, génératrice, ...).

Pour l'utilisation des batteries, veuillez vous conformer aux directives d'utilisation du fabricant.

Installation

L'onduleur sinusoïdal AJ est un appareil électronique ; quelques précautions sont nécessaires lors de sa mise en service :

Lieu de montage de l'onduleur

A l'abri des personnes non autorisées, spécialement des enfants.

Dans une pièce sèche (max. 95 % d'humidité) et dans tous les cas sans condensation.

Pas directement au dessus des batteries.

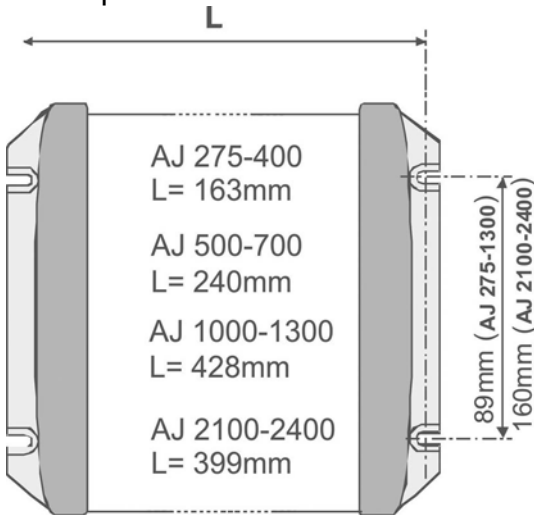
L'aération ne doit pas être obstruée et une distance de 10 cm de chaque côté est nécessaire à la bonne évacuation de la chaleur interne.

Fixation de l'onduleur

L'onduleur peut être fixé à l'aide de vis de 4 mm de diamètre maximum, pour les AJ 275-AJ 1300 et de vis de 8mm maximum pour les AJ 2100 et 2400, dans les quatre rainures prévues à cet effet. Les vis de fixation ne sont pas fournies avec l'onduleur.

STUDER INNOTEC

La position de l'onduleur n'est pas importante : elle peut être murale, de table ou suspendue.



Raccordement

Le raccordement doit être l'objet d'une attention toute particulière. De celui-ci dépend le bon fonctionnement de toute l'installation. Les données techniques ou la description de raccordement se trouvent soit sur un des côtés inférieurs de l'appareil ou du côté de l'embranchement du câble. Raccordez d'abord les consommateurs ou montez une prise de manière à éviter tout contact ultérieur une fois la tension 230 V présente. L'installation doit être exécutée par les personnes autorisées.

Raccordement des consommateurs

L'onduleur AJ est livré avec le câble 230 V pour alimenter les consommateurs. Celui-ci doit être raccordé en respectant les couleurs :

AJ

Jaune-vert : Terre

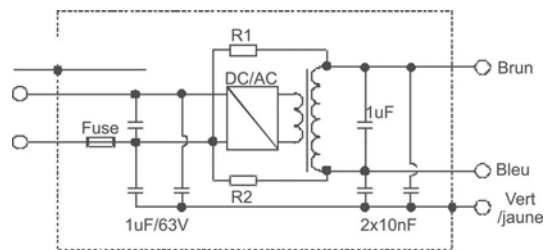
Brun : Phase

Bleu : Neutre

Une fois les consommateurs raccordés, veillez à ce qu'ils soient éteints avant de brancher la batterie.

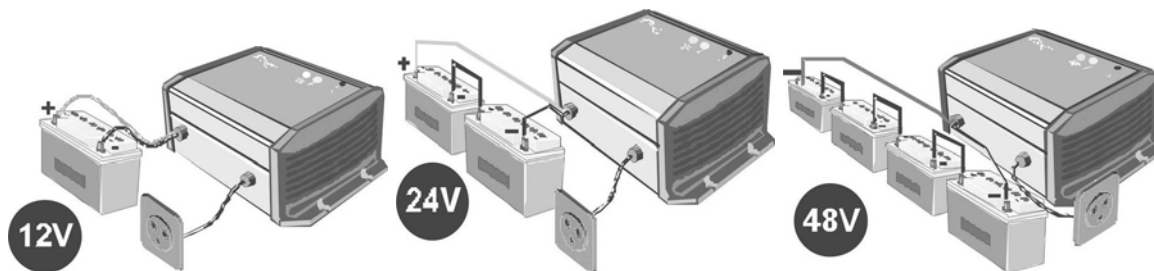
Remarque : Un onduleur constitue une source de tension indépendante du réseau à considérer de la même manière qu'une génératrice. La phase et le neutre présentent une tension de 230V entre eux. La tension terre / neutre et phase / neutre est fixée à 115V par un diviseur capacitif. Selon les prescriptions locales ou les besoins, (par exemple utilisation d'un disjoncteur à courant de défaut) un équipotentiel terre / neutre est réalisé en reliant ensemble les fils neutre et terre (jaune – vert et bleu).

Schéma équivalent



Raccordement de la batterie

Assurez-vous qu'aucun contact avec des personnes ne soit possible sur le côté 230 V avant de raccorder la batterie.



Le câble de la batterie est livré avec l'onduleur et est déjà raccordé à l'intérieur de celui-ci.

Raccordez la batterie **en faisant très attention à la polarité**. L'onduleur, est protégé de l'inversion de polarité par un fusible, **à l'exception du AJ 2100-12**. Cependant, si la polarité est inversée, l'onduleur doit être retourné en usine pour contrôle.

Raccordez la batterie en utilisant les câbles aux couleurs suivantes :

Câble NOIR : Pôle négatif (-)

Câble ROUGE : Pôle positif (+).

Pour AJ 275-350-400 appliquer la couleur dominante comme couleur de référence.

En branchant la batterie il y a une étincelle (**Danger d'explosion !**), en raison du chargement du condensateur interne. Un fusible de sécurité incendie doit être monté sur la batterie.

Vérifiez le serrage des câbles.

Dans la mesure du possible ne rallongez pas les câbles de batteries fournis. Le fait de rallonger les câbles de batterie peut augmenter les pertes et provoquer un dysfonctionnement de l'onduleur.

Une fois l'onduleur branché sur la batterie, la tension 230 V est présente à la sortie de l'onduleur.

Utilisation

Commande et indicateurs

Bouton de commande on/off

Un bouton de commande est accessible sur l'onduleur. Il permet de l'enclencher ou de le déclencher. Utilisez cette fonction pour économiser l'énergie des batteries lorsque vous n'utilisez pas l'onduleur.

Indicateur vert

Un indicateur lumineux vert placé sur l'onduleur indique le mode de fonctionnement :

Allumé : La tension 230 V est présente à la sortie ; l'onduleur est en fonction.

Clignotant :

— — — : L'onduleur est en mode stand-by.

— — — : La tension 230 V est coupée momentanément suite à une alarme ; l'onduleur se remettra automatiquement en fonction dès que l'alarme aura disparu. (voir tableau des fautes ci-dessous)

Eteint : La tension 230 V n'est pas présente à la sortie ; l'onduleur est éteint.

Indicateur sonore

L'onduleur AJ dispose d'un indicateur sonore qui signale les cas suivants :

STUDER INNOTEC

Son intermittent : L'onduleur est en présence d'une faute et va couper la tension de sortie.

Fautes possibles :

Surchauffe : l'indicateur sonne 3°C avant l'arrêt de l'onduleur. Diminuez la charge afin d'abaisser la température de l'onduleur et ainsi éviter l'arrêt.

Sous tension de batterie : l'indicateur sonne une minute avant la coupure. Si la tension de batterie remonte, la tension de sortie n'est pas coupée.

Son continu de deux secondes : Vous avez appuyé sur le bouton ON/OFF pour redémarrer l'onduleur. La tension de sortie est immédiatement présente à la sortie après le signal sonore.

Modèles avec stand-by

Les onduleurs dès l'AJ 500-12 sont équipés d'un système stand-by.

Le stand-by est un système d'économie d'énergie qui déclenche l'onduleur par intermittence lorsqu'aucun consommateur n'est détecté. Dans ce mode, l'indicateur lumineux vert clignote, indiquant la présence par intermittence de la tension.

Cet ajustement se fait à l'aide d'un petit tournevis dans le trou marqué stand-by.

AJ

L'ajustement du niveau de détection s'effectue comme suit : éteindre tous les consommateurs, tourner le bouton rotatif vers la gauche (sens contraire des aiguilles d'une montre) jusqu'à que la LED clignote, allumer le plus petit consommateur (par ex. un chargeur pour tél. portable), tourner doucement le bouton rotatif vers la droite jusqu'à ce que la LED s'allume en continu. Contrôler que l'onduleur se mette en mode stand-by quand vous enlevez la charge. Sinon cela signifie que la charge est trop petite pour être détectée.

Si le stand-by n'est pas souhaité, tourner le bouton complètement à droite. La puissance minimale détectée peut être ajustée entre 1 et 20 W. **Dans la plupart des installations, ce réglage n'est pas utile.** Le réglage se fait à l'aide d'un tournevis plat n°1 dans l'ouverture notée stand-by sur l'onduleur. Dans la position maximale à droite, la sensibilité est minimale (20 W). Ne pas appuyer sur le tournevis.

ATTENTION : en fonctionnement stand-by le 230V est présent par intermittence à la sortie.

Sécurités

L'onduleur AJ est protégé de manière électronique. Il est protégé contre les inversions de polarité par un fusible interne, à l'exception du modèle AJ 2100-12. Le tableau ci-dessous donne les divers cas possibles de faute et les conséquences.

FAUTE	CONSEQUENCE	RESOLUTION
Tension de batterie basse <1,8V/élément	Onduleur stoppé momentanément, l'indicateur vert clignote.	Démarrage automatique dès que la tension de batterie sera remontée à 2V/élément.
Tension batterie <1,5V/élément	Onduleur stoppé indicateur vert éteint	Redémarrage manuel possible dès que la tension batterie est \geq 2V/élément.
Surchauffe	Onduleur stoppé momentanément, l'indicateur vert clignote.	Démarrage automatique dès que la température de l'appareil aura baissé.
Surtension de batterie	Onduleur stoppé	Attendez que la tension de batterie soit à nouveau correcte. Une tension trop élevée peut détruire l'onduleur. Appuyez sur le bouton ON/OFF pour redémarrer l'onduleur.
Court-circuit en sortie	Onduleur stoppé	Supprimez le court-circuit. Appuyez sur le bouton ON/OFF pour redémarrer l'onduleur.
Surcharge	Onduleur stoppé	Utilisez l'onduleur dans les limites de sa puissance nominale. Une utilisation prolongée ou régulière en surcharge diminuera sa durée de vie. Appuyez sur le bouton ON/OFF pour redémarrer l'onduleur.
Inversion de polarité de la batterie	Fusible interne détruit	Retour en usine pour test.

Maintenance

Les onduleurs de la série AJ ne nécessitent aucun entretien particulier. Le boîtier peut être nettoyé avec un chiffon humide (pas mouillé).

Si un dysfonctionnement ou une déformation mécanique de la boîte ou des câbles devait apparaître, l'onduleur doit être envoyé, **soigneusement emballé** dans son emballage d'origine, au fournisseur pour contrôle.

Avant d'envoyer l'onduleur, veuillez contrôler les points ci-dessous.

- La batterie est chargée et correspond à la tension nominale d'entrée de l'appareil.
- Les consommateurs ne présentent aucun défaut ou surcharge pour l'onduleur. (Pour s'en assurer, débrancher les consommateurs).

Si toutefois vous devez prendre contact avec votre revendeur, veuillez noter les points suivants avant d'appeler :

(vous trouverez ces indications sur l'étiquette au-dessous de l'onduleur ou du côté de l'embranchement du câble)

- Le type exact de l'onduleur
- Le numéro de série
- La puissance de l'onduleur
- La tension nominale d'entrée de l'onduleur

Avant l'envoi de l'onduleur, veuillez qu'il soit bien emballé, l'onduleur doit être mis dans un carton rigide et être bien protégé de tous côtés ainsi que dessous, d'une couche d'isolante antichoc d'au moins 5cm d'épaisseur. Une mauvaise protection peut causer des dommages à l'onduleur lors du transport.

Les dégâts causés lors du transport ne sont pas couverts par la garantie.

Exclusion de la garantie

La garantie est de 2 ans. Elle ne couvre pas les cas de défauts survenus lors d'un usage non conforme à la description du manuel d'instructions ou non décrit par celui-ci, ou de tout autre usage inapproprié, notamment pour les onduleurs les événements suivants :

- Inversion de la polarité sur l'entrée batterie.
- Tension inappropriée sur les entrées (surtension).
- Mise en contact de la sortie avec une autre source de tension tel que réseau public ou générateur.
- Déformation mécanique.
- Mise en contact avec un liquide ou oxydation due à la condensation. Usage dans un environnement inadéquat. (poussière, vapeur corrosive, humidité, température élevée, etc.)

Exclusion de la responsabilité

La pose, la mise en fonction, l'utilisation, la maintenance et le service ne peuvent pas faire l'objet d'une surveillance par la société STUDER INNOTEK. Pour cette raison, nous déclinons toute responsabilité pour les dommages, les coûts ou les pertes résultants d'une installation non conforme aux prescriptions, d'un fonctionnement défectueux ou d'un entretien déficient.

L'utilisation des onduleurs STUDER INNOTEK relève dans tous les cas de la responsabilité du client.

Cet appareil n'est pas conçu ni garanti pour l'alimentation d'installations destinées à supporter la vie ou toute autre installation critique comportant des risques potentiels de dégâts à l'homme ou à l'environnement. Nous n'assumons

STUDER INNOTEC

en outre aucune responsabilité pour les violations de droits de brevets ou d'autres droits de tiers résultant de l'utilisation de l'onduleur.

J T8 Commande à distance pour AJ 1000-2400

Les fonctions de la télécommande sont les mêmes que les fonctions disponibles sur l'onduleur. (Voir chapitre Utilisation)

La télécommande doit être raccordée à l'onduleur à l'aide du câble d'origine STUDER (10m) ou tout autre câble RJ11/6p 1:1 jusqu'à une longueur max. de 50m.

AJ

STUDER INNOTEC se réserve le droit de toute modification sur les produits sans communication préalable.



Données techniques

MODELE	AJ 275	AJ 350	AJ 400	AJ 500	AJ 600	AJ 700
Tension de batterie (V)	12	24	48	12	24	48
Tension d'entrée (V)	10.5-16	21-32	42-64	10.5-16	21-32	42-64
Puissance continue/30' (VA)	200/275	300/350	300/400	400/500	500/600	500/700
Stand-by / ON à vide (W)	0.3*/1.9	0.3*/3.3	0.4*/5	0.3/3.8	0.4/8.5	1/10
Rendement maximal en (%)	93	94	94	93	94	94
Dim. 142 x 84 x L (mm) L=	163			240		
Poids en (kg)	2.4	2.6	2.6	4.5		
Commande à distance RCM-01	Option			Option		
Détection (Stand-by) 1 à 20 W	avec option S			v		
Chargeur solaire (option S)	10A			15A		

MODELE	AJ 1000	AJ 1300	AJ 2100	AJ 2400
Tension de batterie (V)	12	24	12	24
Tension d'entrée (V)	10.5 - 16	21 - 32	10.5 - 16	21 - 32
Puissance continue/30' (VA)	800/1000	1000/1300	2000/2100	2000/2400
Stand-by / ON à vide (W)	0.3 / 9	0.4 / 10	0.5 / 13	0.4 / 18
Rendement maximal en (%)	93	94	92	94
Dim. 142 x 84 x L (mm) L=	428		273 x 399 x 117	
Poids en (kg)	8.5		19	18
Télécommande (JT8)	Option		Option	
Détection (Stand-by) 1 à 20 W	v		v	
Chargeur solaire (option S)	25A		30A	

Tension de sortie	Sinus 230V +/-5% (115V +/-5%)
Fréquence	50 Hz +/- 0.05 % (60 Hz +/-0.05%)
Ventilation	Dès 45° C
Protection thermique	v
Protection surcharge	v
Protection court-circuit	v
Degré de protection IP	IP 30 (AJ 2100-2400 = IP 20)
Cos φ	0.1-1
Norme E (ECE-R 10)	Tous les modèles en 12 et 24V sont certifiés

* Stand-by avec option -S (régulateur solaire)

Modèles avec chargeur solaire (option – S)

Le régulateur de charge à disposition dans l'onduleur AJ est destiné **exclusivement à la charge de la batterie par des modules photovoltaïques**. Toute autre source de courant nécessite l'usage d'un régulateur de charge adapté à cette source. La tension à vide des modules solaires doit être de 23V maximum pour les applications 12V, de 46V maximum pour les applications 24V, et de 90V maximum pour les applications 48V. Le mode de réglage est de type I/U/Uo ("floating") à découpage shunt et garanti des conditions de charge

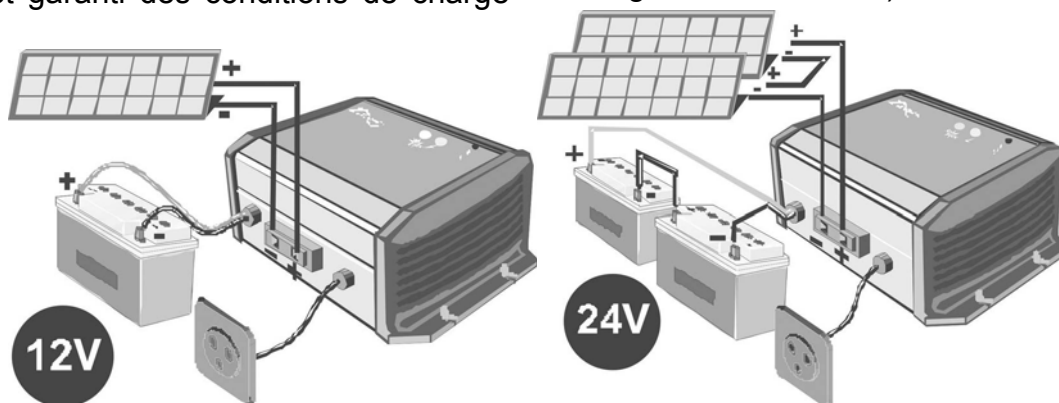
optimales pour la durée de vie de la batterie.

L'indicateur jaune indique le mode de fonctionnement:

Allumé : La charge solaire est maximale.

Eteint : Le générateur solaire n'est pas branché ou la batterie est complètement chargée ou le module photovoltaïque n'est pas illuminé.

Clignotante : La batterie est chargée à plus de 95 % et le chargeur est en mode floating pour compléter la charge (la fréquence de clignotement varie en fonction de la capacité de batterie et de la puissance du générateur solaire).

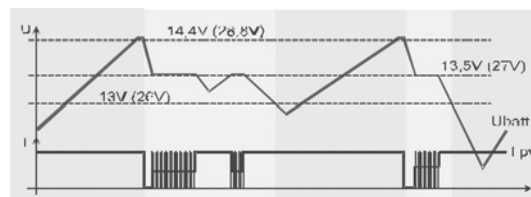


Raccordement des modules sur AJ 2100/2400-S :

Pour les onduleurs AJ 2100/2400-S, le connecteur d'entrée des modules solaires est remplacé par un câble (2 x 6mm²) préinstallé. Le raccordement se fait via une boîte de dérivation.

Positif (+) sur le fil brun ou rouge

Négatif (-) sur le fil bleu ou noir



DECLARATION OF CONFORMITY CE

Manufacturer's Name: **STUDER INNOTECH**
Manufacturer's address: Rue des Casernes 57, CH - 1950 Sion
Declares that the product: Sine wave inverter
Product Name: **AJ series**
Model Number: **AJ 275-12, AJ 350-24, AJ 400-48**
AJ 500-12, AJ 600-24, AJ 700-48
AJ 1000-12, AJ 1300-24
AJ 2100-12, AJ 2400-24
Product options and accessories: Solar charge controller (S)
Remote control JT8
Remote control plug RCM-01
Comply with the following norms: - EMC Dir. 89 / 336 / EEC
- EN 61000-6-1
- EN 61000-6-3
- EN 61000-3-2
- EN55022
- EN 55014
- EN 50091-2
- LVD 73 / 23 / EEC
- EN 60950-1

Roland Studer / Director
Full name / position

2004/04/04
Date


Signature