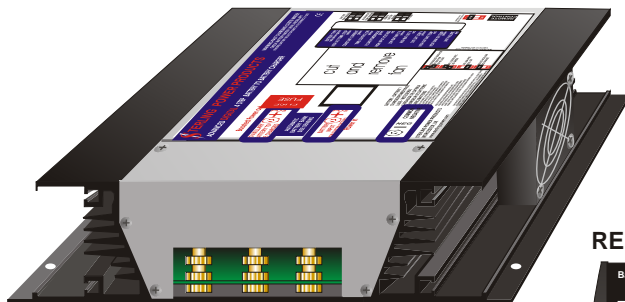


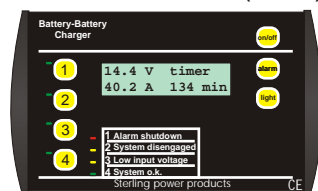
STERLING POWER PRODUCTS

BATTERY - to - BATTERY CHARGER

Advanced charging technology



REMOTE CONTROL (OPTION)

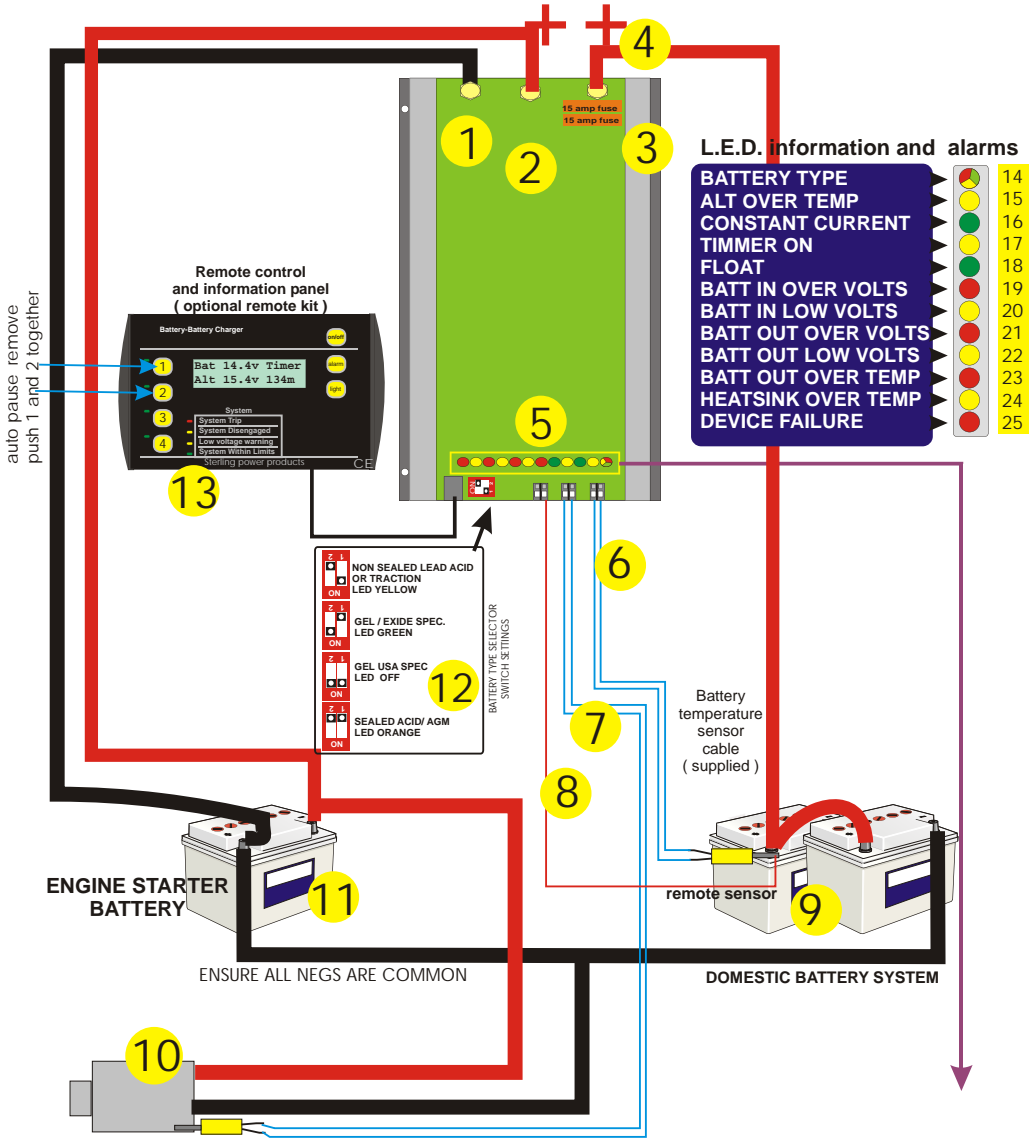


ORDER NO: BBDRC

Installations Instructions & manual

Installations- und Bedienungsanleitung

Full System wiring.(including optional remote kit if used)



alternator or battery charger or solar cell any power source

Alternator temperature sensor cable (supplied)

BATTERY SELECTOR

Setup Up

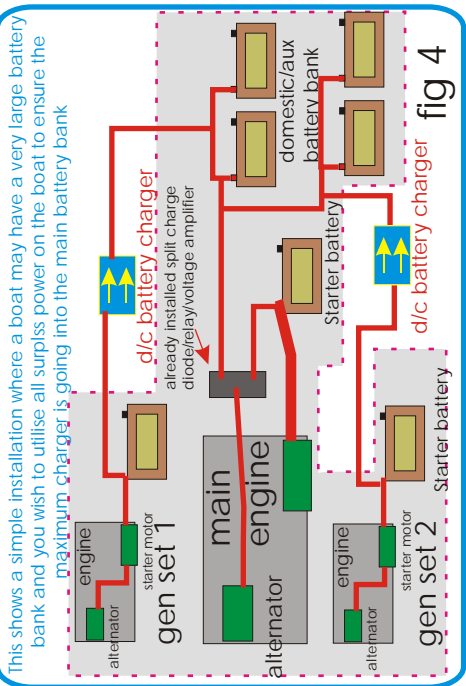
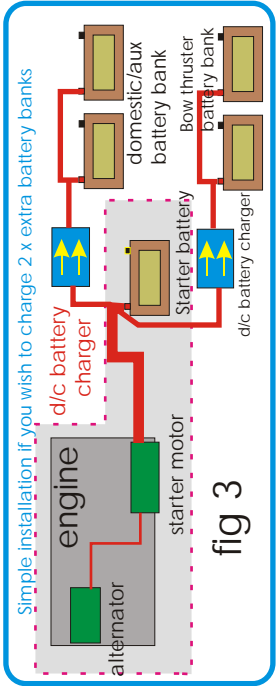
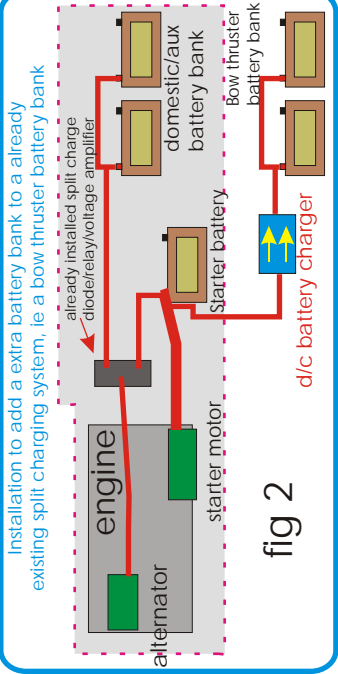
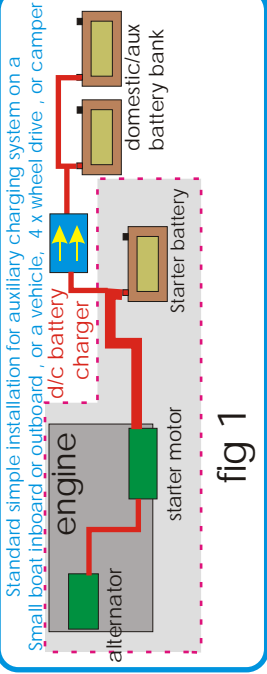
		LED COLOUR	MAX. CHARGING VOLTAGE	ABSORPTION TIME	FLOATING VOLTAGE
1		YELLOW	14.8V / 20°C	1 - 3 HRS.	13.65V / 20°C
2		GREEN	14.4V / 20°C	10 - 12 HRS.	13.8V / 20°C
3		GREEN-YELLOW	14.4V / 20°C	4 - 8 HRS.	13.65V / 20°C
4		GREEN FLASHING FOR 5 SEC.	14.1V / 20°C	4 - 10 HRS.	13.5V / 20°C

fig 8

Application ideas

This unit can be used to charge extra battery banks from Boat Inboard engines, Boat Outboard engines Vehicle engines (cars/lorries/vans) and Generator engines

The dotted line shows the original system and how simple it is to connect the d/c battery charger



Why do I need the d/c battery charger?

By now I hope most people understand that the best way to charge a battery is using a 4 step battery charging curve, which cannot be achieved from a standard alternator. This system enables one to simply attach the unit to a standard engine battery and it will fool the alternator into working at its maximum ability in order to ensure all its surplus power, utilised to charge the auxiliary battery bank to its maximum. This system is designed to use only the surplus power. It ensures at all times, that the power required to run the primary system as the vehicle system or the boat engine is not effected. The surplus power is converted into a higher voltage and is used to charge a secondary battery bank using a digitally controlled programable 4 step charging curve whose unit is also totally isolated; i.e. the starter battery cannot discharge through this system, even in the event of the unit failing.

What does it do?

In a nut shell it charges your extra battery system about 5 times faster than it would otherwise charge and put about 50% extra use full power into them, and increases the life of the battery by de-sulphating them. For best effect use open lead acid batteries. Avoid gel, sealed and AGM batteries. Even though open lead acid batteries are by far the best for fast charging and longer life using advanced charging units. There is sometimes no choice but to use gel or AGM. The unit has the settings to enable these to be charged within their recommended charging curves.

Advantages of this unit.

- 1) *installation*: it does not get any easier. Simply connect to your starter batteries and to your domestic battery. Job done. Low costs.
- 2) *no direct connections to the standard engine alternator*, or to the outboard, if used, thus on new installations there is no extra wiring for a split charger system.
- 3) *ensures the engine battery if maintained and well looked after*
- 4) mutable units can be used, for example if you have a 60 amp alternator, and 3 battery banks (engine, domestic, and bow thruster) then 2 of these can be used to run the bowthruster and the domestic system. There, internal programs will adjust their charger patterns to accept the other unit. Ensure only the excess power is used and the primary system is not placed in jeopardy.
- 5) *ensures there is no voltage rise on the engine management system*, to ensure no alarms or damage to the system. Be it a outboard, or a car, or a boat
- 6) *no vehicle warrantee issues as you are not connected to the main system*
- 7) *the unit isolated both battery banks and prevents any feed back through the unit*

How does it work?

The unit monitors the engine start battery. This unit will not start until the battery voltage exceeds about 13 volts, then it waits for 2.5 min. to ensure that some charger is replaced quickly into the engine start battery. After that, it pulls the engine battery down to no less than 13 volts, which enables the engine battery to still receive a small charge and ensures the alternator works at its full potential. To further, ensure the engine battery is o.k. Every 20 min. the unit stops for about 3 min. to ensure the engine battery charge is o.k. The unit takes the 13 volts into the control box and then boosts this up to 14.8, or what ever voltage the unit is set at(determined by the battery type dip switch settings), in order to fast charge the other set or sets of batteries. After a period of time, calculated by the software, when the auxiliary batteries are full, the system will float the batteries at 14 volts, but always ensuring the engine battery comes first. Other features included in this system are 2 x temperature sensors, an alternator- and a battery temp sensor. There is also a remote battery sensor and a fully automatic sleep sensor, which switches the unit off when the engine has stopped. A remote panel is available as an optional extra

Installation see fig 8

Set this unit as you would any other high power battery charger, fit it as close to the batteries as possible in a cool dry ventilated space. As with most ideal conditions on a boat, the cool well ventilated part is a bit of wish full thinking, with this in mind you may notice that the unit comes with a heat sink and 3 x cooling fans. Do not be surprised if in Northern Europe you never see these fans running, as the unit is designed for a 40 deg C ambient running.

So if you have to fit it in a hot engine room then it should be o.k. but try to fit it low down on the bulk head as it will be a little cooler there than at the top of the engine room.

Wiring : connect the output positive cable first, then the input positive cable then the negative, remember the unit has a sleep and auto start , if the input voltage is above 13 volts (due to a battery charger being on etc , then the unit will auto start.)

Program the battery type into the unit, go to the battery type program dip switches on the unit ④ and set the battery type accordingly.

There are 3 main battery types,

Non sealed lead acid or sealed lead acid, where you can unscrew the lid of the battery and are able to top it up with water, these are by far the best type for fast charging and long life. (max voltage 14.8)

Gel / Exide spec. This program is, as per the recommendation of Exide, set at a voltage of 14.4 volts for about 10-12 hrs. The unit drops then to float.

Gel U.S.A. spec. For some reason known to someone but not to us, the American gel manufactures want a different charging regime than the European ones. Don't ask us why, if in doubt as the battery supplier, this setting has a max charger voltage of 14.1 volts.

Sealed lead acid/ A.G.M. This is set to a maximum charger voltage of 14.4 with a software program to match most of these battery types, some AGM batteries only want 14.1, if so, set the unit to the American gel setting. If in doubt ask the battery supplier

My advise is where possible use the open lead acid batteries, which are also by far the lowest cost . Due to their slow recharge rate, avoid gel batteries for fast charging cycles.

Fit the unit as close as possible (taking into account the above requirements) to the supply batteries.

If you must fit it in an enclosed engine room (i.e. a small yacht , where the engine room is fully enclosed with sound proofing all over the place ,then fit any equipment as low as possible. Its best to fit it outside the engine room near the battery box.

Always remember, that the only thing in the engine room that is air cooled is your alternator. If you have a totally sealed room then don't be surprised when you go through alternators on a regulator basis. If the engine room is sealed then put a vent tube from outside to the back of the alternator, the alternator will suck air through the back and cool itself. Then you will never have any alternator problems.

Battery temp: Simply connect one of the enclosed temperature sensor to a battery terminal post ⑥ (neg. or pos.), and to the 2 x small terminals marked battery temp. simply push the small lever down and insert one wire into each side, there is no polarity on these wires. make sure you do not crush the temp sensor which is a small thing inside the yellow ring terminal, as this will destroy the processor chip. The output voltage will be reduced in accordance with manufacturers battery charging temperature curves and in the event of the battery temperature increasing due to battery failure, it exceeds 50 deg C, which is a major problem, the unit will switch off the charger .

Alternator high temp disengage: ⑩ This is another temp sensor (supplied) which should be connected to your alternator output post (b+) and will disengage the amplifier in the event of the alternator reaching 100 deg C. LED does simply inform on the remote when the alternator reaches the temperature. When the alternator cools down a little, the system automatically reengages and carries on .

Domestic sense: ⑧ As standard this unit senses all the control voltages at the unit, however if you want to sense the voltage at the domestic battery direct, to over come the voltage drops in the cable run drops, then simply connect a cable from the domestic sense connection direct to the domestic battery

Remote control kit: ⑬ An optional extra with this unit is the remote control kit, this comes complete with a remote display, See fig 5-6 for remote operation.

Start up and test procedure

When the unit is connected, it senses the output voltage from the input battery, if the voltage is above 11 volts then the system will come on for about 5 min., it will then work out that the input battery is to low to do anything and shut its self down into sleep mode, the only way to start the system up then is to increase the input battery voltage by either switching the engine on or start a battery charger. When the unit first starts up then the top battery type LED should show yellow red or green, depending on the battery type selected, and the constant current LED (3 down) will flash slowly. This green LED should slow flash, which shows that the unit is working but is inactive for the first 2.5 min. to allow the engine battery to recover a little.

After about 2.5 min. the green light will stop flashing and go onto green continuous, or shut the system down to rest mode if the battery voltage is to low. The chances are, that the engine load, which is the system on constant current, will increase while the unit should be boosting the current into the domestic battery bank. This high current will continue for about 20 minutes then it will stop for 3 min. to allow ensure the engine battery is o.k..

Once the domestic battery reaches a certain voltage (depending on the battery type setting but between 13.5-14 v), the trimmer LED will come on and high charge rate will continue for a calculated time period (never the same) see fig 8 lower right of page , the box marked setup. This time period is determined by what battery type program you select and the state of charger of the batteries. The rest periods is 3 mins every 20 mins. After the time is over, the unit drops to float at 14 volts at constant voltage with no switch off period. The unit will attempt to hold the battery voltage. However, if the output battery falls below about 12.8 volts for more than 15 mins , the system will reset into the boost charger mode again. also if the input voltage fall below 12.8 volts, the system will assume, that the input is switched off and will switch the system into rest mode to conserve energy. Only if the input voltage rises again, will the system restart.

If on start up nothing happens, then

1) test the battery voltage. It should be above 11 volts, to see the unit working start up the engine and ensure you are getting at least 13.5 volts at the battery.

Auto pause switch off. The units has a automatic program cycle which works 3 minuet off and 20 minuets on etc etc until the batteries are charger, this cycle is to ensure the engine start system is well looked after and is bias in the engine starter battery's favour. If you wish to remove the 3 minuet rest period (which is o.k. and the engine start battery will be o.k., then simply push button 1 and 2 at the same time (this can only be done on the remote) bold the two buttons until you hear a beep, the screen will then say auto pause off. this will auto reset on system restart.

WHAT CABLE TO USE IN mm sq

A charger or inverter up to	cable run distance 0-1.5 mtr	1.5 4 mtr
0-25 amps	6 mm sq	10 mm sq
25-45 amps	16 mm sq	25 mm sq
45-85 amps	25 mm sq	35 mm sq
85-125 amps	35 mm sq	50 mm sq
125- 180 amps	50 mm sq	70 mm sq
180-330 amps	70 mm sq	90 mm sq

Please note that if there is a problem obtaining for example 90 mm sq cable, simply

Use 2 x 50 mm sq , or 3 x 35 mm sq , the cable is simply copper, and all you require

Is the copper , it does not matter if it is one cable or 10 cables as long as the square

area adds up. Performance of any product can be improved by thicker cable, so if in doubt round up

The LED meanings and functions fig8

- 14 BATTERY TYPE Tri Coloured LED:** This simply displays the battery type that the processor has been set to. This is a tri coloured LED. Yellow = open lead acid, Green = gel /sealed lead acid . Red = AGM..
- 15 ALT OVER TEMP :** Yellow: This monitors the temperature of the alternator and disengages the unit in the event of the alternator reaching 90 deg C, which waits for the alternator to cool down then automatically re-engages.
- 16 CONSTANT CURRENT:** Green: This should be on from start up(slow flash shows unit on but on rest mode, for the first 2.5 min. On start up and approx. every 20 min after, see graph) and shows that the alternator should be working at it's maximum. It should remain on until the green float comes on and this shows the high charge rate is complete.
- 17 TIMER ON :** Yellow: Timer Activated: This comes on, when the voltage reaches about 13.9 - 14 volts (x 2 for 24 v) and depending on how long it took to come, will dictate how long the timing cycle will remain on. The software will calculate the timing for the high charge rate. This will vary from 1 - 6 hours and the time will be displayed on the remote panel and a count down . This light will remain on until the high charge rate is over, and will go out at the same time as the high charge rate between 1-6 hrs after activation.
- 18 FLOAT:** Green Float Mode: This indicates that all the high charge cycles are now over and should remain on after all the high charge lights are out. The system is now running at a standard charge rate only (about 14 volts) regulated on the battery.
- 19 BATTERY INPUT OVER VOLTS:** This will warn you and switch off the boost section, this means that your alternators own regulator has failed and the alternator will now boil and destroy your batteries, there is simply nothing we can do about this except warn you:
please take this warning very seriously and stop your engine as soon as possible, remove the alternator input cable then continue your journey and have the alternator repaired.
- 20 BATTERY INPUT LOW VOLTS** yellow: Low Voltage Warning: This is simply saying that there is a low voltage at the main battery bank and has no active function. For information only, this usually indicates a defective alternator
- 21 BATTERY OUTPUT OVER VOLTS:** This will warn you and switch off the boost section, this means that either out unit has failed and was in the process of overcharging your battery bank, or you have some other charging source on your output battery bank which is overcharging the batteries and our unit thinks it is out unit
- 22 BATTERY OUTPUT LOW VOLTS** yellow: Low Voltage Warning: This is simply saying that there is a low voltage at the output battery bank and that the charging unit is unable to keep up with your demand on the battery bank, or the unit has failed and is not working.

- 23 BATTERY OUTPUT OVER TEMPERATURE:** Red : This shows that the battery temperature sensor has picked up a temperature in excess of 50 deg C at its source (where ever you have fitted it) this will trip the unit until it has been reset. Please find the fault before resetting
- 24 HEAT-SINK OVER TEMP.** yellow: This device monitors both heat sinks and in the event of that exceeding 75 deg C the unit will switch off until the temperature has been reduced. It is important not to fit the unit inside a hot engine room
- 25 DEVICE FAILURE:** red: this feature will give an indication in the event of a

Other application ideas see fig 1-4

Fig 1: This is the most common and easy installation because of being simply connected to the starter battery. In order to connect up the d/c battery charger all you need to do is connect one wire from the auxiliary battery banks to the starter battery. The starter battery stays between 13-14 volts (within its limits) and the domestic battery goes up to 14.4.-14.8. In order to put a good fast charger into the auxiliary batteries, this is especially good if the battery bank to be charged is not close to the starter battery , such as things like bowthrusters, or batteries in the boot of cars or lorries

Fig 2 : This option shows a standard split charger system on any boat or camper vehicle, which is already installed, and has been using advanced alternator regulators or any other advanced charging system. An extra battery bank is required such as a bow thruster, radio battery bank or a generator, for ease of installation simply drop on a d/c battery charger.

Fig 3: This option shows a situation on many boats or camper vehicles where there may be 3 x battery banks, simply put 2 x d/c battery chargers on, and they will ensure both banks are catered for, with no problem. the fact that one battery bank is further away than the other will make no difference.

Fig 4 : This option shows a standard split charger system on any boat or camper vehicle, which is already installed, and has been using advanced alternator regulators or any other advanced charging system. You will find out, that you wish to supplement the marine house battery bank by charging with as many other auxiliary charging systems as you can. For example: if you are running a gen set for 4 hrs per day you may as well put as much power as possible into your main large house battery bank

Any source can be used. You can even use this system to charger from a old type battery charger , for example if you had a old constant voltage battery charger and you wished to convert it into a constant current one, then simply put one of these on the output. Or if you have a single output charger and want a dual output, then simply add one d/c charger to make a dual charging system

Remote control panel see fig 5

A: on/off: this switches off the unit boost aspect, but cannot prevent the standard diode splitting from working. The monitoring functions remain in and the only way to know if the unit is switched off is the system within limits (LED)which will be off while the boost off will be on screen 3b

B: Alarm: this mutes the alarm system

C: Back ground light: this switches on and off the back ground light

D: Green LED, system all o.k.

E: Low battery input voltage

F: system disengaged, this is an auto recoverable alarm , such as a high alternator temp trip. This will come back on when the temperature has reduced

G: This is a fatal alarm trip, such as high input/output voltage or high battery temp, this will alarm and switch off

Screen display on remote panel fig 6

Screen D/a: BUTTON 1 This is the default screen. It will automatically display switch on. This screen is designed to display the most relevant information on one screen, to remove the need to flick between screens. This screen shows the battery in- and output voltage. It also shows the amps in the unit, and its state of charge, ie bulk charger (on start up). Pause is when the unit switches off for 2.5 minutes, and the time will show (count down), how long one has left before the cycle is complete and the unit goes onto float.

Push Button 1: screen D/b this shows the total time, the unit has been running (ON) and also the total time, the unit has been charging in that time (charge)

Screen E/a: Push button marked 2 , this shows the voltage on the input battery and its input current, which is the one the system is taking the charge from)

Push button marked 2 again: screen E/b this displays the output voltage and current of the battery you are charging. (a less current but higher voltage)

Screen F/a: Push button marked 3 (this is the setup information screen) This screen gives different information depending on the system cycle, it is informing you., WET OPEN= wet open lead acid cell batteries, this shows that the system battery type dip switches are set for wet cell batteries,(14.8 v max setting) Bulk charge refers to the initial charge rate, this could change to a timer, then adventually change to float (float charger 14 volts)

Push button marked 3 again: screen F/b. This screen shows the time left to the next pause cycle (for 2.5 min.) and that it is on auto. The auto can be removed by pushing buttons 1 and 2 together. This removes the auto pause control, and the charger will still have all its safety and timing cycles, every 20 min. pause

Push button marked 3 again: screen F/c. R:v2.0 C:v2.0, this shows the software version for remote (R) and for main PCB (C). the 12vIN-12vOUT, refers to the motel, a 12v-12v unit. There are 12-24 v, 24-24 and 24-12.

Screen G/a: Push button marked 4.: There are 2 x screens on this button. Push once for screen a, then again for screen b. Screen a shows the alternator temp and the domestic battery temp, if the temperature sensors are not fitted it will default to 20 deg C

Screen G/b:: Push button marked Temp 4a+b: There are 2 x screens on this button. Push once for screen a, then again for screen b. Screen b shows the box heat sink temperatures, LHS stands for left hand side, Guess what RHS stands for.

Do not expect these to be the same temperature

Pre set voltages: (x 2 for 24 v models)

Minimum input voltage the unit will run at 13 volts

Voltage the unit switches off and drops into sleep mode
below 12.8 v for at least 15 mins

Power consumption on sleep mode. 5 ma ie 0.005 amps

max input voltage trip 15.5

max output voltage trip 15.5

All voltages refer to a default temperature of 20 deg c

if the battery temperature sensor is fitted these voltages will be less depending on the battery temperature

Alt temp disengage	100 deg C
Reset alt	80
Battery temp trip	50 deg C
Heat sink trip	70 deg C
Heat sink reset	60 deg C
Fans on at	50 deg C
Fans on over	35 amps
Fans of at	45 deg C
Low battery alarm	1 2.5 v
Low battery regulation	13 v
high battery voltage trip	15.5v
Max input current	at 12 v = 45 amps
amp meter +/-	about 10%
voltmeter +/-	1%