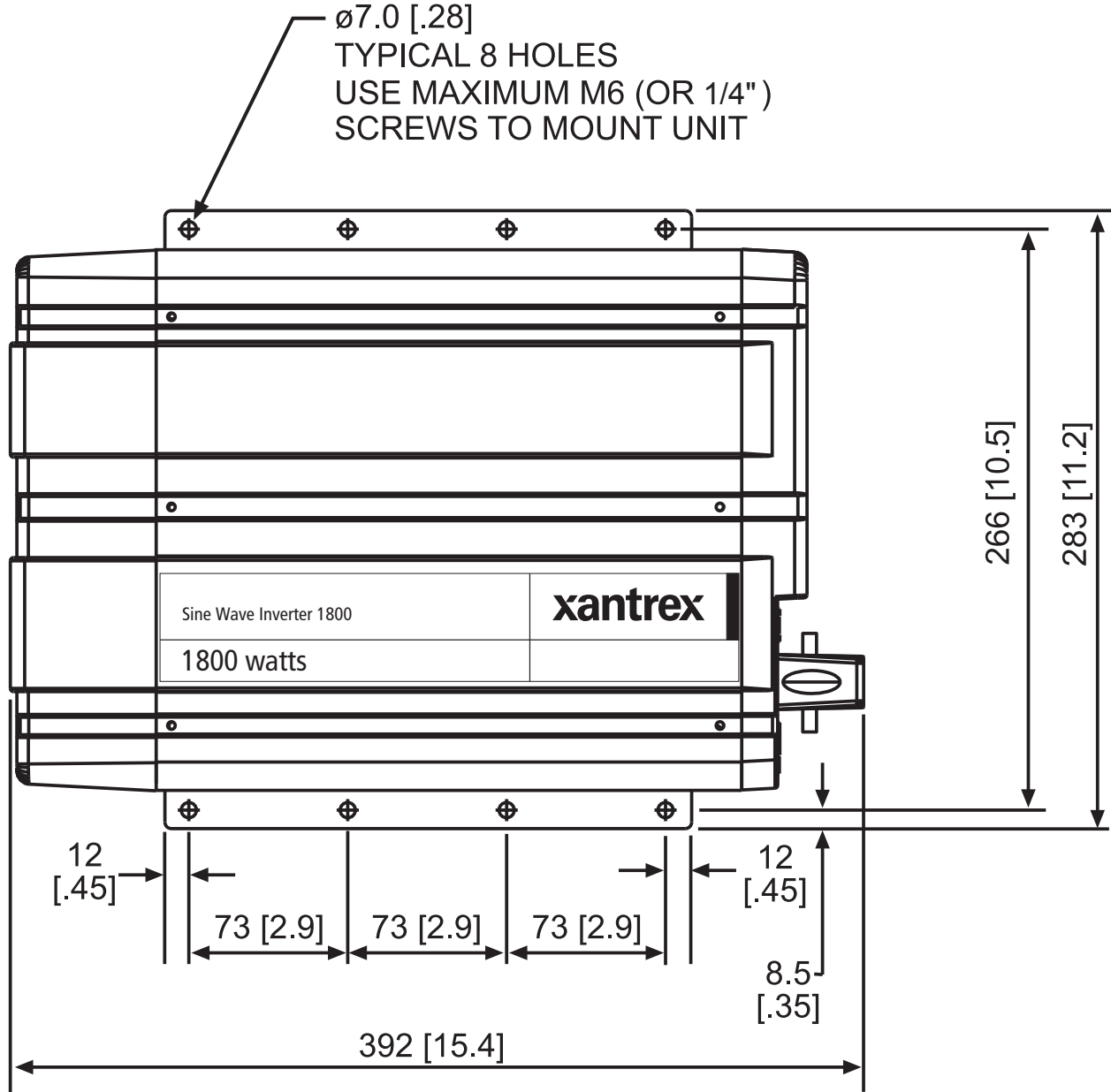


ProsineTM 1000/1800 Mounting Instructions



General Notes:

Dimensions in: mm [in.]

Overall height of unit = 115mm [4.5"]

Minimum clearance on all sides = 127mm [5.0"] - See manual for details

Xantrex is a registered trademark of Xantrex International.

Prosine is a registered trademark of Xantrex International.

© 2002, Xantrex Technology Inc.