

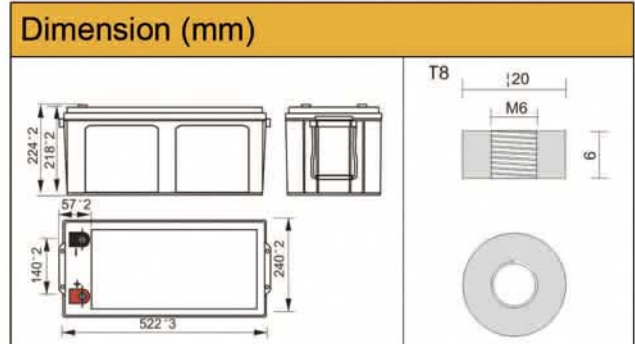


valve regulated
sealed lead acid type
rechargeable battery

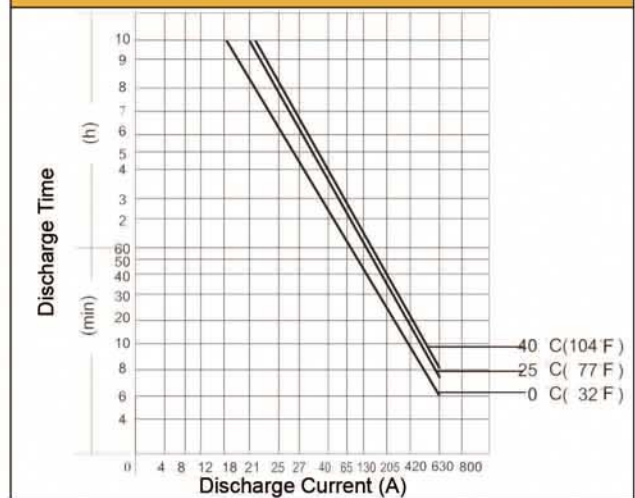
sunbattery

SB 12-200.0 (12V .200AH)

Solarlink GmbH, Drangstedter Str. 37
D 27624 Bad Bederkesa GERMANY
www.solarlink.de info@solarlink.de

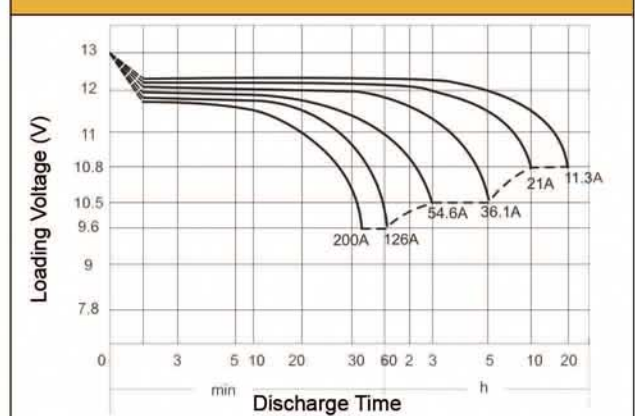


Discharging Current & Discharge Duration Time



Physical Specification		
Nominal Voltage Nominal Capacity (20HR)		12V 200AH
Dimension	Length	522 ± 3mm (20.55 inches)
	Width	240 ± 2mm (9.45 inches)
	Container Height	218 ± 2mm (8.58 inches)
	Total Height (with Terminal)	224 ± 2mm (8.81 inches)
Weight		Approx 64kg (141.2lbs)
Standart Terminal		Treadded Insert 6mm STUD

Discharge Characteristics (25° C, 77°F)



Electrical Specification					
Rated Capacity	20 hour rate (11.3A)	226AH	Constant-Voltage Charge	Cycle	Initial Charging Current less than 60A. Voltage 14.4 V- 15.0 V at 25°C (77°F) Temp. Coefficient -30mV/°C
	10 hour rate (21A)	210AH			
	5 hour rate (36.1A)	180.5AH			
	3 hour rate (54.6A)	163.8AH			
Capacity affected by Temperature	40°C (104°F)	103%	Standby	No limit on Initial Charging Current Voltage 13.5 V~13.8 V at 25°C (77°F) Temp. Coefficient -20mV/°C	
	25°C (77°F)	100%			
	0°C (32°F)	86%			

Constant Current (Amp) and Constant Power (Watt) Discharge Table (25°C, 77°F)

Amp Watt/Cell	Time(Minute) Final Voltage	20	30	45	60	120	180	240	300	360	480	600	1200
		1.3	1.6	1.6	1.67	1.7	1.75	1.75	1.75	1.75	1.8	1.8	1.8
A / Batt		315.0	241.5	168.0	126.0	73.5	54.6	42.0	36.1	31.9	25.0	21.0	11.3
W / Cell		617.4	455.7	333.9	249.5	146.2	108.8	83.8	72.0	63.8	50.0	42.0	22.6