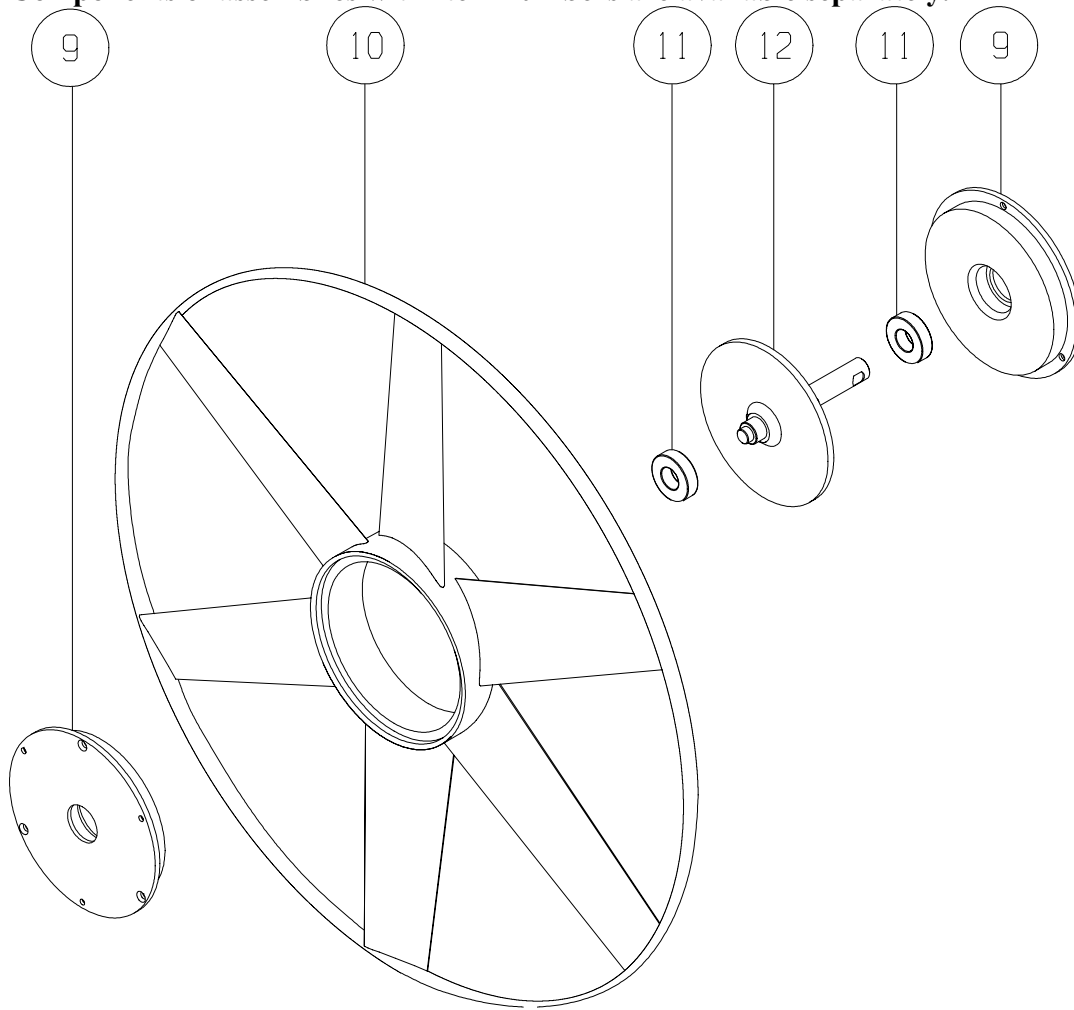


**Exploded View 1. Main assemblies.**

Item No	Description	Marlec Part No
1	Nose Dome	05-034
2	Hub assembly (Exploded view 2) <i>Including: Magnet assembly Qty 2 (Item 9) Turbine Blade (Item 10) Bearings Qty 2 (Item 11) Stator Winding (Item 12)</i>	SA-50/10
3	Nacelle Back Plate	05-035
4	Wind Shaft casting Assembly (Exploded view 3) <i>Including: Windshaft casting Brush Holder/Brush kit (item 13)</i>	SA-50/13
5	Post Adaptor assembly <i>Including: Post Adaptor Post Shaft Bearing (Item 15) Bearing (Item 16) Slipring (Item 17) Associated fasteners</i>	SA-50/14
6	Rectifier assembly	SA-50/16
7	Nacelle	05-031
8	Tail assembly	SA-50/15

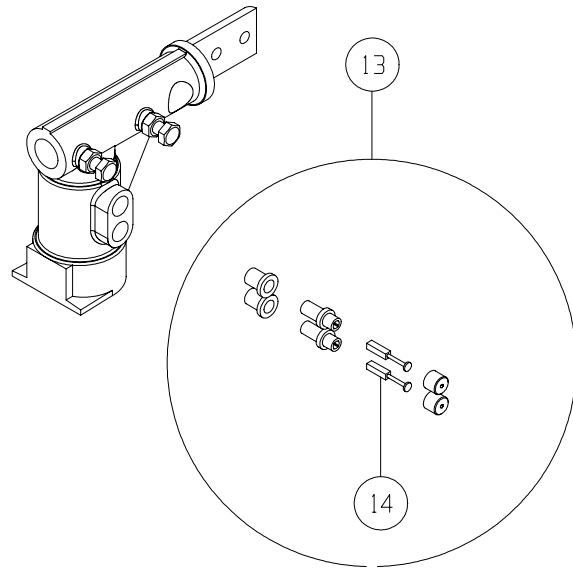
**Items above with Part Nos prefixed 'SA' are supplied ready assembled.**

**Components of assemblies with Item numbers are available separately.**



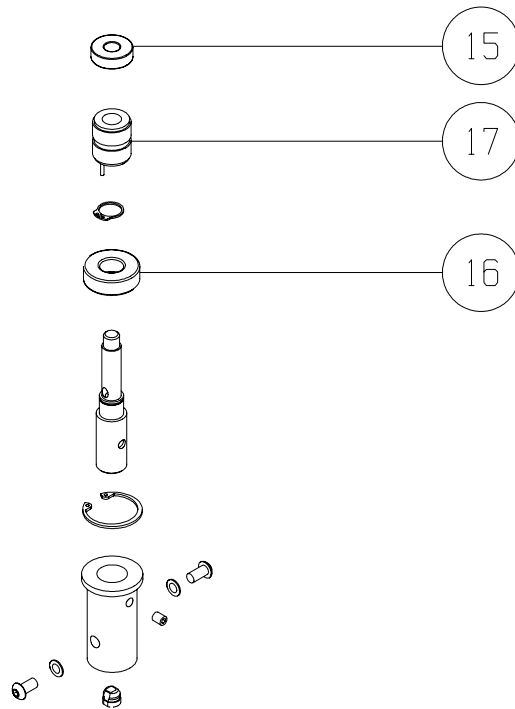
**Exploded view 2. Hub assembly**

<b>Item No</b>	<b>Description</b>	<b>Marlec Part No</b>
9	Magnet assembly (pair)	SA-50/12
10	Turbine Blade	05-001
11	6002ZZ bearing (2 per hub)	921-014
12	Stator winding (including bearings)	SA-50/11



**Exploded view 3. Wind shaft casting assembly**

Item No	Description	Marlec Part No
13	Brush Holder/Brush Kit	SA-10/04
14	Brush 4x4x15 (2 per unit)	917-001



**Exploded view 4. Post adaptor assembly.**

Item No	Description	Marlec Part No
15	6000ZZ bearing	921-009
16	6202ZZ bearing	921-001
17	Slipring	919-001