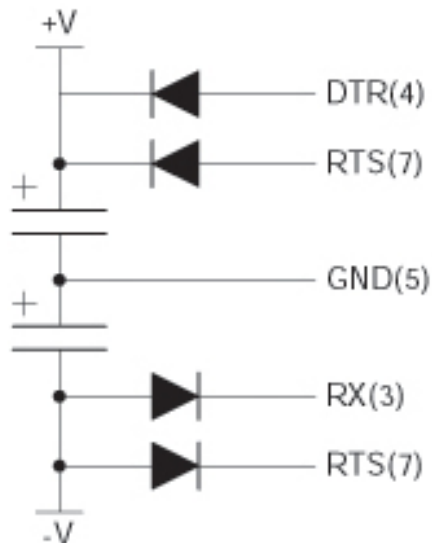
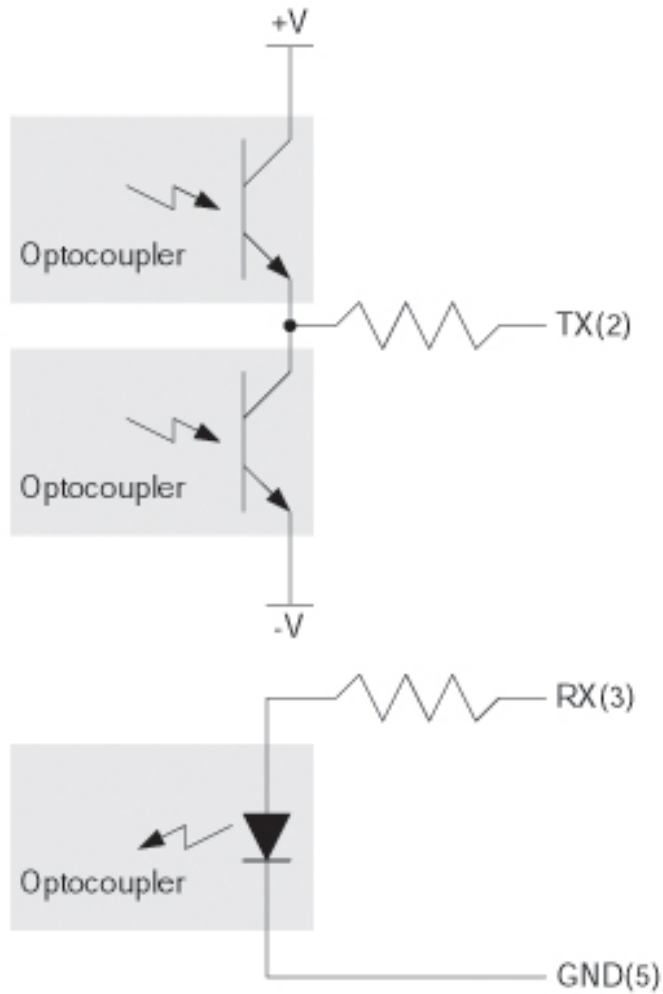


# TriStar RS-232 simplified circuit

Solarlink GmbH, Drangstedter Str.37, D 27624 Bad Bederkesa, GERMANY

www.solarlink.de



The TriStar uses an isolated "port powered" RS-232 connection, meaning that the circuitry uses a small amount of power from the PC that it is connected to.

The positive voltage is derived from DTR and/or RTS (both are normally high from a PC).

The negative voltage is derived from RTS and/or RX. (Since Modbus is half duplex, the RX line is negative when the TriStar is transmitting.)