

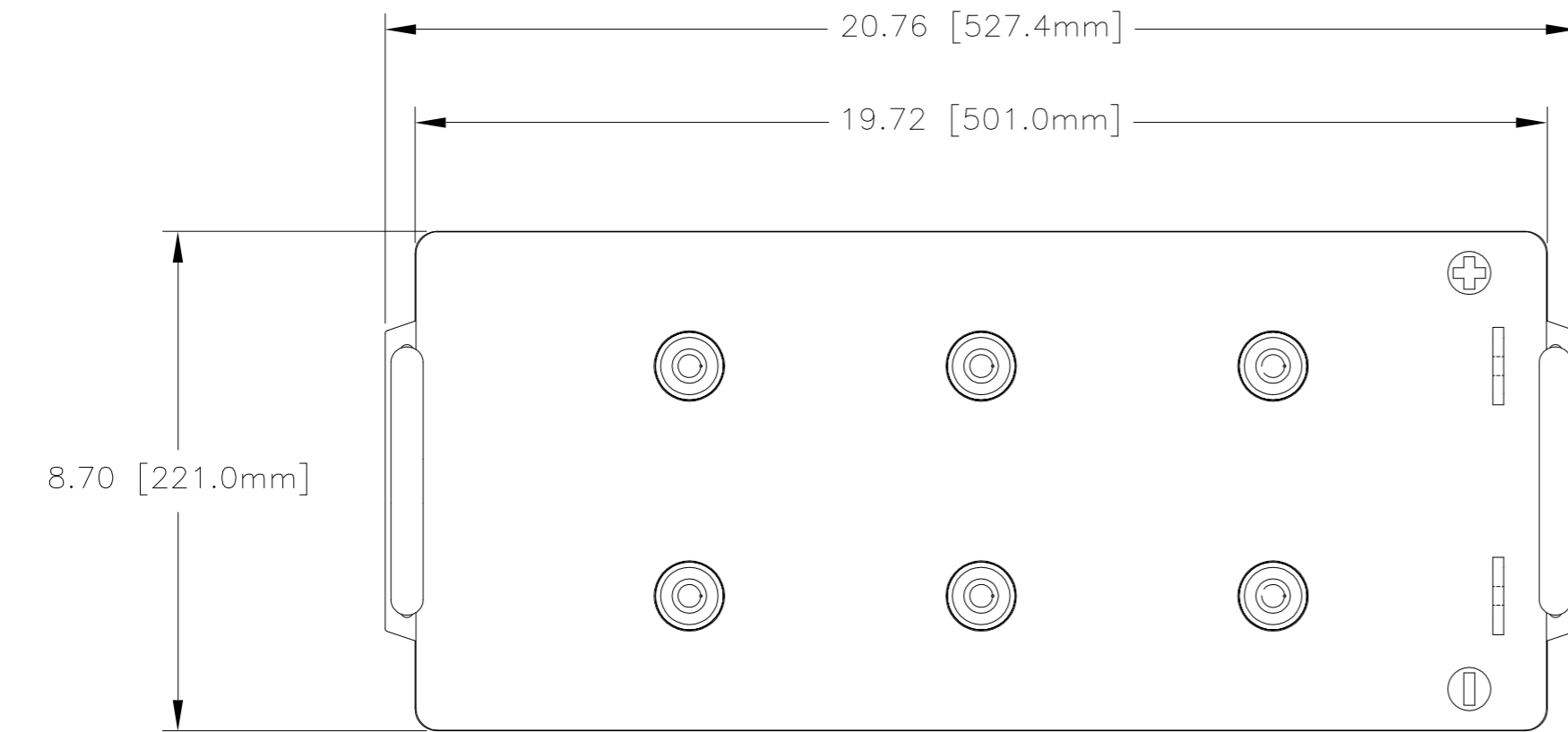
NOTES: UNLESS OTHERWISE SPECIFIED

1. SEE DRAWING NO. CB-00294 AND PROCEDURE P-1000 FOR ASSEMBLY AND TEST INSTRUCTION. PROCEDURES AND ASSEMBLY DRAWINGS ARE FOR INTERNAL USE ONLY.
2. ALL TESTING ARE IAW BATTERY COUNCIL INTERNATIONAL STANDARDS.
3. ALL DIMENSIONS ARE IN INCHES [MM].

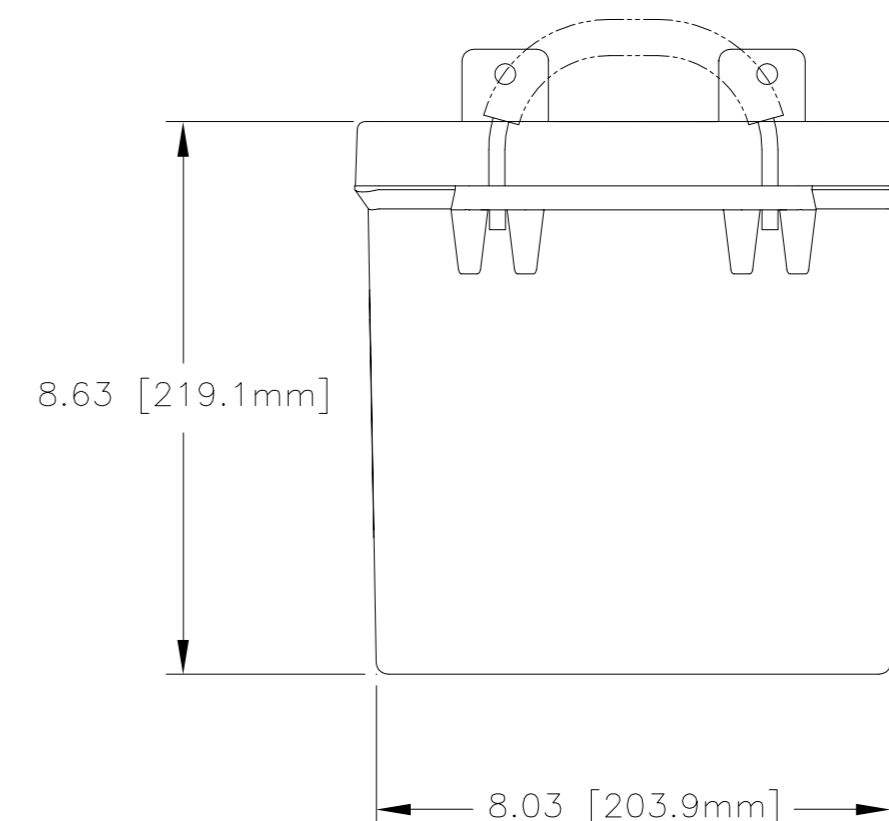
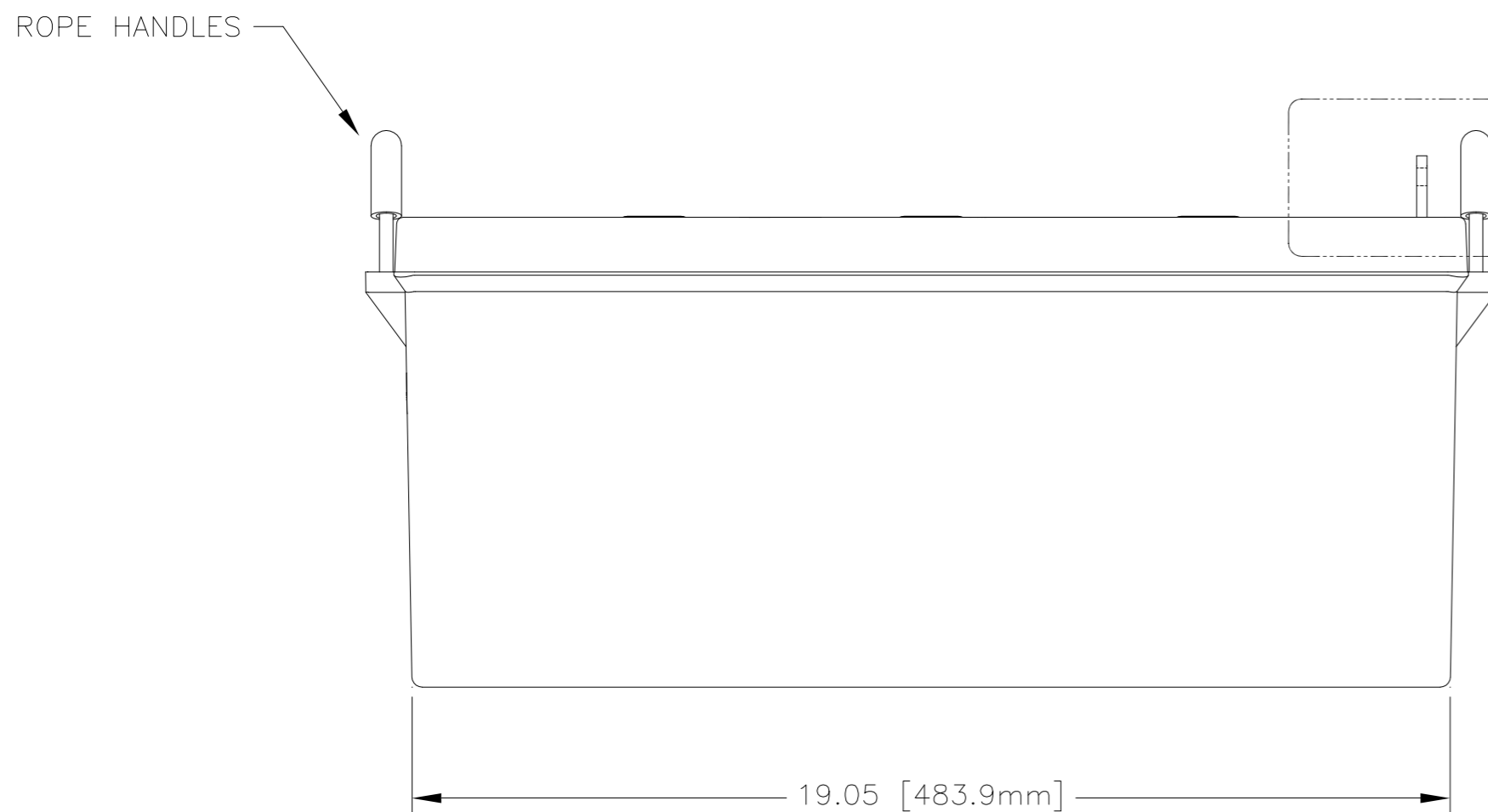
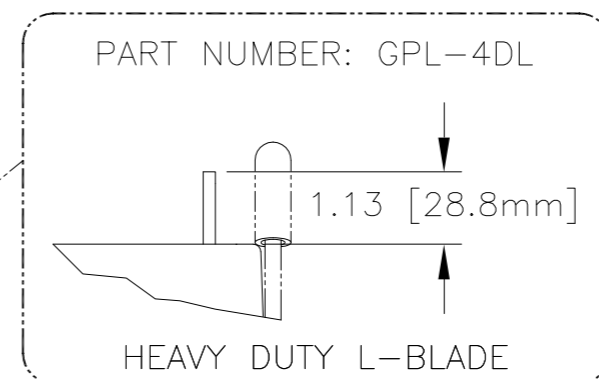
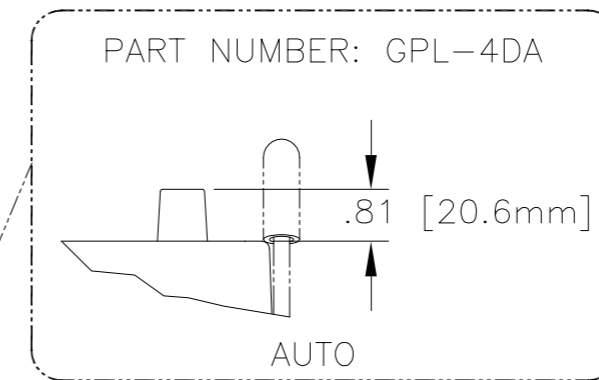
REVISIONS			
REV	DESCRIPTION	DATE	APPROVED
F	REDESIGNED CASE AND COVER	1/22/03	JBT

Solarlink Gmbh  
 Drangstedter Str. 37  
 D 27624 Bad Bederkesa

GERMANY  
 e-mail: info@solarlink.de  
 web: www.solarlink.de



GPL-4D TERMINAL OPTIONS



CAPACITY RATINGS	
PART NUMBER	GPL-4D
NOMINAL WEIGHT	135 LBS[61.2 KG]
AMPERE HOUR CAPACITY @ 20 HOUR 1.75 VOLTS/CELL @ 77°F (25° C)	210 AH
MINUTES OF DISCHARGE @ 25 AMPS 1.75 VOLTS/CELL @ 77°F (25° C)	390 MIN

ENVELOPE DRAWING

QTY REQD	CAGE CODE	PART OR IDENTIFYING NO.	NOMENCLATURE OR DESCRIPTION	MATERIAL SPECIFICATION	ITEM NO.
PARTS LIST					
UNLESS OTHERWISE SPECIFIED DIMENSIONS ARE IN INCHES TOLERANCES ARE:			CONCORDE BATTERY CORPORATION 2009 SAN BERNARDINO RD, W. COVINA, CA 91790		
FRACTIONS ± 1/32	DECIMALS .XX ± .06	ANGLES ± 1'	APPROVALS	DATE	TITLE
	.XXX ± .060		DRAWN TORRES J.	4/25/94	BATTERY, 12 VOLT, GPL-4D
TREATMENT	NONE		CHECKED JR	4/29/94	SIZE C
FINISH	NONE		APPROVED DG	4/29/94	CAGE CODE 63017
SIMILAR TO N/A	ACT WT N/A	CALC WT N/A	ISSUED AT	1/24/03	DWG NO. GPL-4D
			SCALE 1=2.5		REV F
			SHEET 1 OF 1		