

NOTES: UNLESS OTHERWISE SPECIFIED

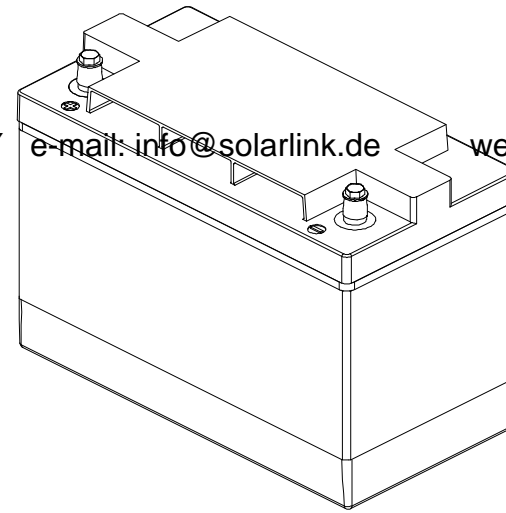
1. SEE DRAWING NO. CB-00290 AND PROCEDURE P-1000 FOR ASSEMBLY AND TEST INSTRUCTION. PROCEDURES AND ASSEMBLY DRAWINGS ARE FOR INTERNAL USE ONLY.

2. ALL TESTING ARE IAW BATTERY COUNCIL INTERNATIONAL STANDARDS.

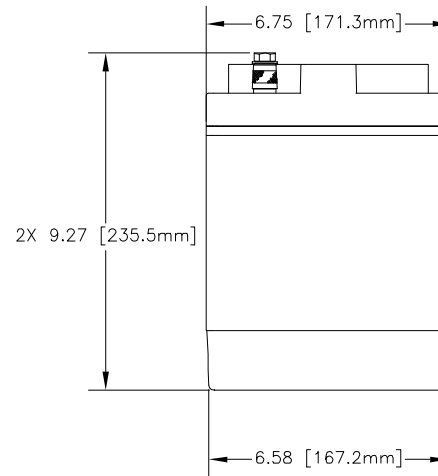
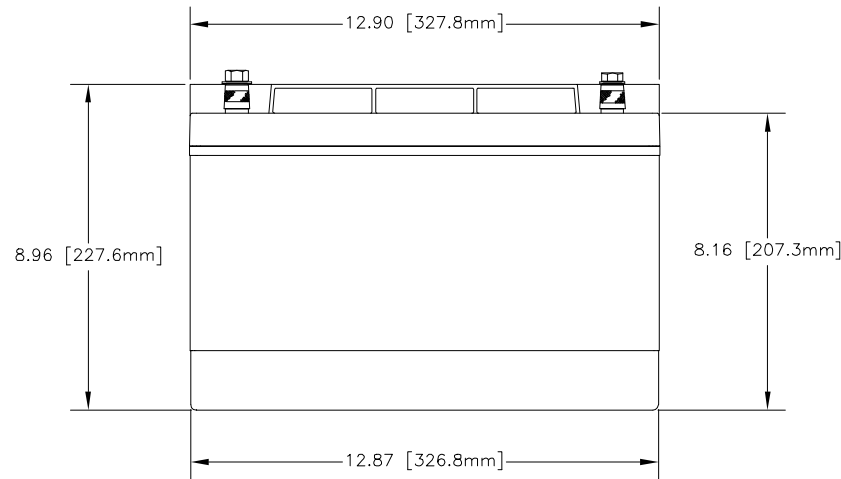
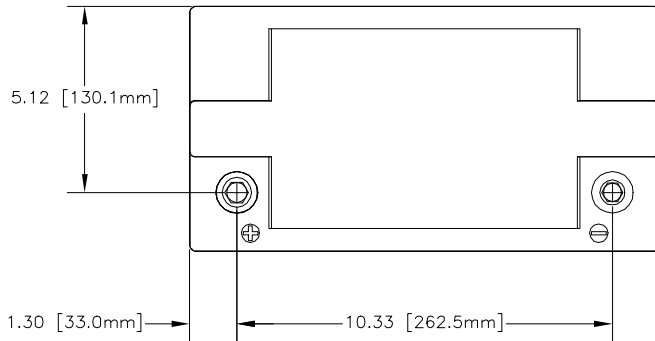
3. ALL DIMENSIONS ARE IN INCHES [MM].

Solarlink Gmbh Drangstedter Str. 37 D 27624 Bad Bederkesa GERMANY e-mail: info@solarlink.de web: www.solarlink.de

REVISIONS			
REV	DESCRIPTION	DATE	APPROVED



REFERENCE VIEW



ENVELOPE DRAWING

CAPACITY RATE	
PART NUMBER	GPL-31T
NOMINAL WEIGHT	69 LBS [31.4 KG]
AMPERE HOUR CAPACITY @ 20 HOUR 1.75 VOLTS/CELL @ 77°F (25°C)	105 AH
MINUTES OF DICHARGE @ 25 AMPS 1.75 VOLTS/CELL @ 77°F (25°C)	195 MIN

QTY REQD	CAGE CODE	PART OR IDENTIFYING NO.	NOMENCLATURE OR DESCRIPTION	MATERIAL SPECIFICATION	ITEM NO.
PARTS LIST					
UNLESS OTHERWISE SPECIFIED DIMENSIONS ARE IN INCHES TOLERANCES ARE: FRACTIONS DECIMALS ANGLES .XX ±.06 .XXX ±.060			CONTRACT NO.	CONCORDE BATTERY CORPORATION 2009 SAN BERNARDINO RD, W. COVINA, CA 91790	
APPROVALS		DATE	TITLE		
DRAWN	ELH	3/13/00	BATTERY, 12 VOLT, GPL-31T		
CHECKED S. VALDEZ		3/13/00	SIZE	CAGE CODE	DWG NO.
APPROVED JBT		3/16/00	C	63017	GPL-31T
SIMILAR TO NA	ACT WT NA	CALC WT NA	ISSUED	DR	3/23/00
			SCALE	NONE	
			SHEET 1 OF 1		

ENGINEERING COPY 23MAR00