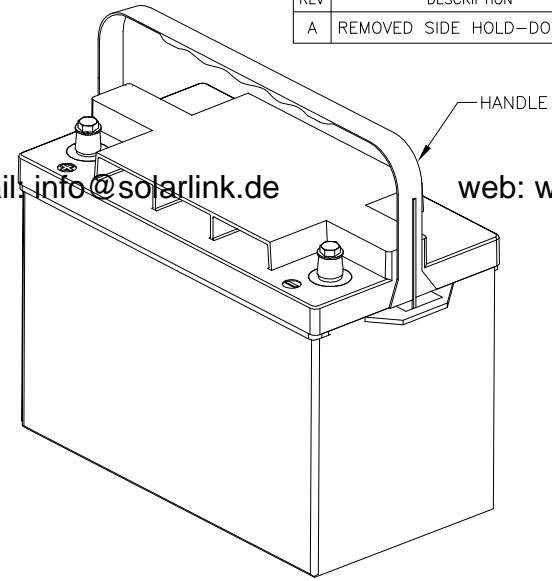


NOTES: UNLESS OTHERWISE SPECIFIED

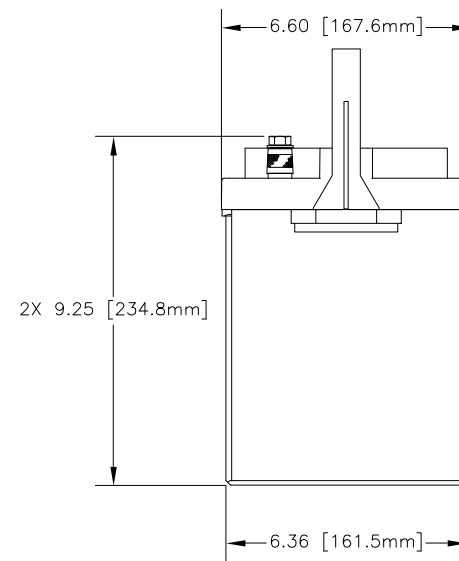
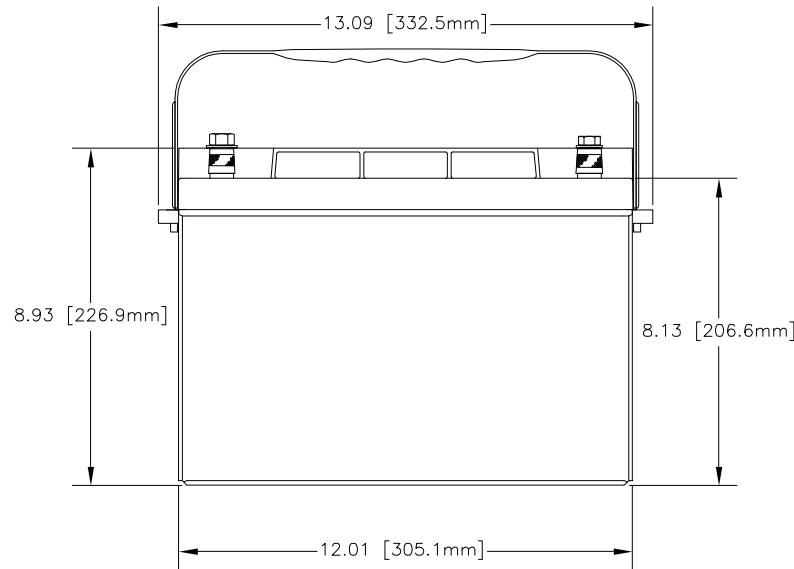
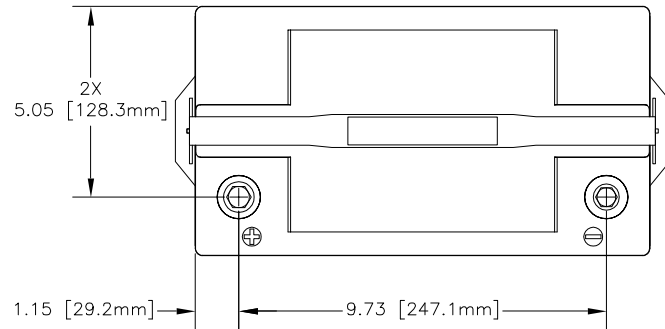
1. SEE DRAWING NO. CB-00285 AND PROCEDURE P-1000 FOR ASSEMBLY AND TEST INSTRUCTION. PROCEDURES AND ASSEMBLY DRAWINGS ARE FOR INTERNAL USE ONLY.
2. ALL TESTING ARE IAW BATTERY COUNCIL INTERNATIONAL STANDARDS.
3. ALL DIMENSIONS ARE IN INCHES [MM].

Solarlink GmbH Drangstedter Str. 37 D 27624 Bad Bederkesa GERMANY e-mail: info@solarlink.de web: www.solarlink.de

REVISIONS			
REV	DESCRIPTION	DATE	APPROVED
A	REMOVED SIDE HOLD-DOWNS	6/10/03	JBT



REFERENCE VIEW



CAPACITY RATINGS	
PART NUMBER	GPL-27T
NOMINAL WEIGHT	65 LBS [29.5 KG]
AMPERE HOUR CAPACITY @ 20 HOUR 1.75 VOLTS/CELL @ 77°F (25°C)	100 AH
MINUTES OF DISCHARGE @ 25 AMPS 1.75 VOLTS/CELL @ 77°F (25°C)	186 MIN

ENVELOPE DRAWING

QTY REQD	CAGE CODE	PART OR IDENTIFYING NO.	NOMENCLATURE OR DESCRIPTION	MATERIAL SPECIFICATION	ITEM NO.
PARTS LIST					
UNLESS OTHERWISE SPECIFIED DIMENSIONS ARE IN INCHES. TOLERANCES ARE: FRACTIONS DECIMALS ANGLES ± 1/32 .XX ± .06 ± 1° .XXX ± .030			CONTRACT NO.	CONCORDE BATTERY CORPORATION 2009 SAN BERNARDINO RD, W. COVINA, CA 91790	
TREATMENT NONE			APPROVALS	DATE	TITLE
FINISH NONE			DRAWN ELH	3/13/00	BATTERY, 12 VOLT, GPL-27T
SIMILAR TO NA			CHECKED S. VALDEZ	3/13/00	SIZE C
ACT WT NA			APPROVED JBT	3/16/00	CAGE CODE 63017
DLC WT NA			ISSUED AT	6/13/03	DWG NO. GPL-27T
					REV A
					SCALE NONE
					SHEET 1 OF 1